



**PV-ezRack<sup>®</sup> Product Catalogue V2.0**

# Introduction

With its genesis in Australia and foot print across the world, Clenergy has grown from being a boutique solar solutions provider into a passionate, globally renowned renewable energy company with nearly 400 employees and offices across four continents.

Clenergy's products and services have become synonymous with quality and innovation, delivering a wide range of solutions to industry.

Our mounting systems are universally recognised for their high quality, innovative design and ease of deployment. The service at Clenergy is renowned for being friendly, reliable and professional.

To drive continual improvement we invest heavily in research, development, service, our people and partners. It is this approach that makes Clenergy a trusted company with a reputation as the passionate expert in the renewable energy sector.

Clenergy is committed to delivering a wide range of products and services: local expert staff answer your questions, local logistic companies deliver our products and local engineers ensure that every regulation is fully complied with. Our partners rely on our expertise; support and experience before, during and after the installation, so you can rest assured that when you partner with Clenergy you've made the right decision.



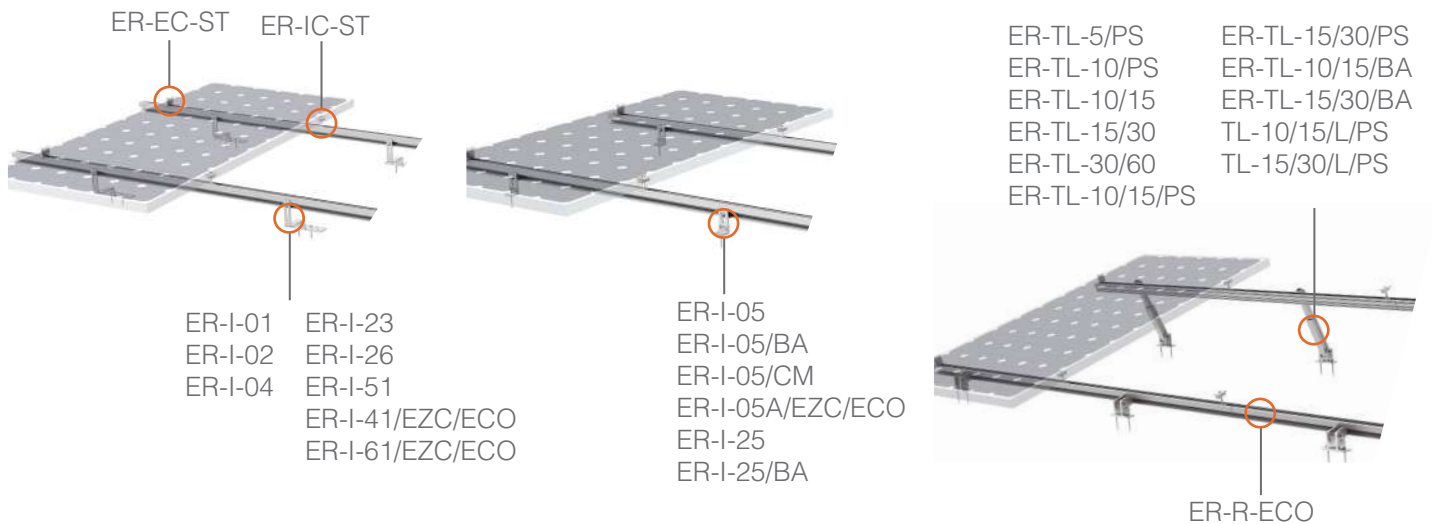
# Content

SolarRoof™	01
ThinFilm	07
SolarTripod	09
SolarTripod Lite	11
SolarBase	13
ComT	15
SolarTerrace II-A	18
SolarTerrace III-A	21
PostMount 1-A, 2-A, 3-A and 4-A	23
PostMount 6-A and 8-A	25
PostMount 1/2/3-A for XL Panels	27
PostMount 4/6-A for XL Panels	29
ezShade	31
SolarTerrace V	33
Accessories	35
Warranty	39

## SolarRoof™

Reliable, robust roof mounting system with high quality components designed for the harshest conditions.

PV-ezRack® SolarRoof™ has been developed for residential PV installations on tin and tile roofs. The components are easy to install and can be used for flush as well as tilted systems, on a large variety of roof types. The interfaces, rails and clamps use high quality, robust and corrosion resistant materials including structural grade aluminium alloy (AL6005-T5) and stainless steel (SUS304).



### Main Benefits

#### Quick and Easy Installation

Innovative and internationally patented, the Z-Module and Click Module technology are used in almost all SolarRoof components. The Z-Module and Click Module quick provide easy and safe installation method. They can be inserted into the rail at any given point, and secured with just two or three hand grips.

#### Versatility

A large variety of roof hooks, tin roof fixings, tilt legs and adapters help ensure that you will find a suitable fixing method for almost every roof, where fixing with penetration is required.

#### Wide Range of Tilting

With three adjustable tilt legs, these parts can tilt panels from between 10-60 degrees. Through its innovative design, the tilt legs can cope with all common purlin distances.

#### Universal

SolarRoof has suitable inter and end clamps for every size of solar panel including frameless, thin film panels or special clamps for cyclonic regions. In the growing range of clamps, cable clips, adapters and accessories you are sure to find the parts you require for your residential rooftop mounting needs.

**10 Year  
Warranty\***

**Commercial**

**Residential**

#### Available accessories

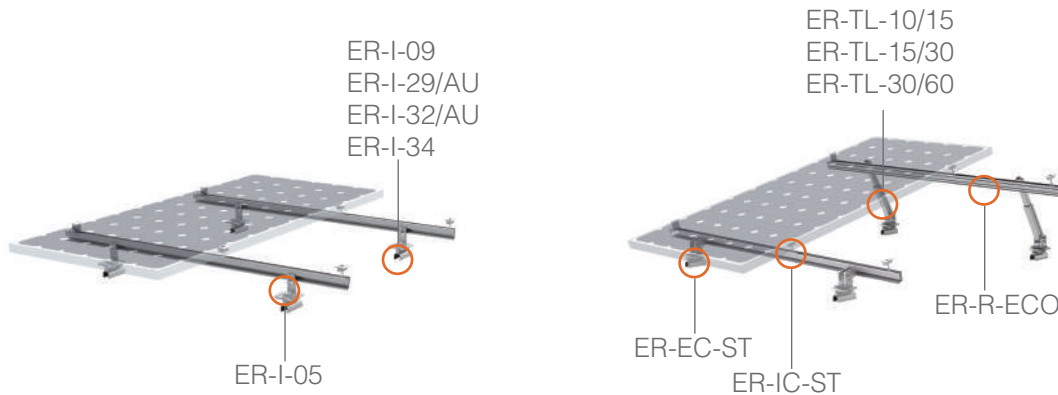
**Grounding/earthing  
Cable clips  
Rail caps  
Isolator Shade**

## SolarRoof™

Non-penetrative

Reliable, robust roof mounting system with high quality components designed for concealed-fix roof claddings (Klip-lok, Longline).

To achieve and maintain improved watertightness of solar installations on Klip-lok type tin roofs, PV-ezRack® SolarRoof™ has been expanded with a range of non-penetrative brackets. Rigorous testing on real size roofing sheets ensures safety, compliance and structural integrity of the PV-installations. As a result, the Klip-lok type brackets can be used for installing flush to the roof as well as for tilted systems.



### Main Benefits

#### No Roof Penetration

Watertightness is easily maintained with the SolarRoof clamps for concealed fix roofs, as there is no need for roof penetration. With Clenergy's thorough testing methods, this is made possible without any compromises on safety or structural integrity.

#### Versatility

The non-penetrative clamps can be used for flush installations as well as for tilting. The fixing method for flush mounting include using our L-feet interface with rails and clamps, all fixed on top of the non-penetrative clamps. For tilted systems, the adjustable tilt legs or SolarTripod can be used directly on the compatible non-penetrative clamps.

#### Quick and Easy Installation

Innovative and internationally patented, the Z-Module and Click Module technology are used in almost all SolarRoof components. The Z-Module and Click Module quick provide easy and safe installation method. They can be inserted into the rail at any given point, and secured with just two or three hand grips.

#### Available accessories

Grounding/earthing  
Cable clips  
Rail caps  
Isolator Shade

10 Year  
Warranty\*

Commercial

Residential

## ER-I-41/EZC/ECO



### Adjustable Tile Interface with ezclick connection, 120 mm horizontal arm

- Main part of Adjustable Tile Interface, 120 mm horizontal arm
- Base plate of Adjustable Tile Interface
- L bracket for SRP interface
- Clamp 1 for ECO Rail
- Clamp 2 for ECO Rail
- ezClip Spring
- Lock Washer M8x18
- Hexagon socket button head screw M8x20
- Washer 8
- Plain washer 8
- Hexagon socket head cap screw M8x16
- Hexagon socket head cap screw M8x25
- Buildex 14-10x65 Hex Head Zips screw

## ER-I-61/EZC/ECO



### Adjustable Tile Interface with ezclick connection, 170 mm horizontal arm

- Main part of Adjustable Tile Interface, 170 mm horizontal arm
- Base plate of Adjustable Tile Interface
- L bracket for SRP interface
- Clamp 1 for ECO Rail
- Clamp 2 for ECO Rail
- ezClip Spring
- Lock Washer M8x18
- Hexagon socket button head screw M8x20
- Washer 8
- Plain washer 8
- Hexagon socket head cap screw M8x16
- Hexagon socket head cap screw M8x25
- Buildex 14-10x65 Hex Head Zips screw

## ER-I-01



### Tile Interface

- Tile Roof Hook 1
- Z-Module
- Washer 8mm(5/16")
- Lock washer 8mm (5/16") A2
- Hex Socket Head Bolt M8x25mm (5/16"x63/64") 933 A2-70
- Buildex 14-10x65 Hex Head Zips screw

## ER-I-01/EZC/ECO



### Tile Interface with ezClick connection for ECO-Rail

- Tile Roof Hook1
- Clamp 1 for ECO Rail
- Clamp 2 for ECO Rail
- ezClip Spring
- Lock washer M8x18
- Hexagon socket head cap screw M8x28
- Buildex 14-10x65 Hex Head Zips screw

## ER-I-01/CS



### Tile Interface, Carbon Steel

- Tile Roof Hook1 (Carbon Steel)
- Z Module
- Washer 8
- Lock washer M8
- Hexagon socket head cap screw M8x25
- Buildex 14-10x65 Hex Head Zips screw

## ER-I-02



### Flat Tile Interface

- Flat Tile Roof Hook
- Z-Module
- Washer 8mm(5/16")
- Lock Washer 8mm (5/16")
- Hex Socket Head Bolt M8x25mm (5/16"x63/64")
- Buildex 14-10x65 Hex Head Zips screw

## ER-I-04



### Slate Interface

- Slate Roof Hook
- Z-Module
- Washer 8mm
- Lock Washer 8mm A2
- Hex Socket Head Bolt M8x25mm
- Buildex 14-10x65 Hex Head Zips screw

## ER-I-23



### Tile Interface – Landscape

- Tile Roof Hook 3
- Z-Module
- Washer 8 DIN 9021 A2
- Lock Washer 8mm A2
- Hex Socket Head Bolt M8x25mm 933 A2-70
- Buildex 14-10x65 Hex Head Zips screw

## ER-I-26



### Tile Interface – Side Mount

- Tile Roof Hook 2
- Z-Module
- Washer 8mm
- Lock Washer 8mm
- Hex Socket Head Bolt M8x25mm
- Buildex 14-10x65 Hex Head Zips screw

## ER-I-51



### Tile Interface, 118mm horizontal arm, with BX screw 6.3x65

- Tile Roof Hook with 118mm horizontal arm
- Z Module (Anodized)
- Washer 8
- Lock washer M8x18
- Hexagon socket head cap screw M8x25
- Buildex 14-10x65 Hex Head Zips screw

## ER-I-05 ER-I-05/BA



### Tin Interface

- Tin Roof Hook
- Rubber Pad 38x38x2
- Z-Module
- Washer 8mm
- Lock Washer 8mm A2
- Hex Socket Head Bolt M8x28mm
- Buildex 14-11x70 Hex Head Zips screw

## ER-I-05/CM



### Tin Interface with Click Module Assembly

- Tin Roof Hook
- Rubber Pad 38x38x2
- Main Click Module
- Side Click Module
- Washer 8
- Lock Washer M8x18
- Hexagon socket head cap screw M8x28
- Buildex 14-11x70 Hex Head Zips screw
- Spring for Click Module

## ER-I-05A/EZC/ECO



### Tin Interface A with ezClick connection for ECO-Rail

- Tin Roof Hook A
- Rubber Pad 38x38x2
- Clamp 1 for ECO Rail
- Clamp 2 for ECO Rail
- ezClip Spring
- Lock washer M8x18
- Hexagon socket head cap screw M8x28
- Buildex 14-11x70 Hex Head Zips screw

## ER-I-25 ER-I-25/BA



### Tin Interface with Curved Base for Corrugated Roof (Z Module + Bolt + Universal Screw)

- L-shaped Corrugated Tin Feet Base
- Rubber Pad 55x40x2
- Z Module (Anodized)
- Washer 8
- Lock washer M8x18
- Hexagon socket head cap screw M8x28
- Buildex 14-11x70 Hex Head Zips screw

## EZ-AD-C43 EZ-AD-C43/BA



### Adapter (Puck) for Corrugated Iron Roof, with EPDM, for Tin Interface ER-I-05

## ER-I-09 ER-I-09/BA



### Klip Lok Interface 400-700HS

- Main Hook
- Side Hook
- Hex Socket Head Bolt M8x25mm
- Lock Washer M8
- Washer 8
- Rubber pad 65x100x2

## ER-I-29/AU ER-I-29/BA



### Klip-lok Interface for longline 305

- Main Hook for Klip-lok Interface for longline 305
- Side Hook for Klip-lok Interface for longline 305
- Rubber Pad for Klip-lok Interface for longline 305, L100x83
- Hexagon socket head cap screw M8x30
- Washer 8
- Plain washer 8
- Hexagon socket head cap screw M8x25
- Lock washer M8

## ER-I-32/AU ER-I-32/BA



### Klip-lok Interface 406 with U-opening

- Main Hook for Klip-lok Interface 406 with U-opening
- Side Hook for Klip-lok Interface 406 with U-opening
- Rubber Pad 55x100x2
- Washer 8
- Hexagon socket head cap screw M8x25
- Plain washer 8

# PV-ezRack® SolarRoof™

## ER-I-34 ER-I-34/BA



### Universal Klip-lok Interface

- Main Hook of Universal Klip-lok Interface
- Side Hook of Universal Klip-lok Interface
- Hexagon socket head cap screw M8x80
- Hexagon socket head cap screw M8x25
- Washer 8
- Plain washer 8
- Hexagon nut M8
- O rubber rings Ø10x1.9

## ER-I-34/CRC ER-I-34/CRC/BA



### Universal Klip-lok Interface pre-assembly with Cross Connector Clamp

- Main Hook of Universal Klip-lok Interface
- Side Hook of Universal Klip-lok Interface
- Hexagon socket head cap screw M8x80
- Hexagon socket head cap screw M8x25
- Washer 8
- Plain washer 8
- Hexagon nut M8
- Cross Connector Clamp of ECO-Rail
- O rubber rings Ø12x3

## ER-I-34/05A/EZC ER-I-34/05A/EZC/BA



### Universal Klip-lok Interface pre-assembly with Tin Interface A with ezClick module

- Main Hook of Universal Klip-lok Interface
- Side Hook of Universal Klip-lok Interface
- Hexagon socket head cap screw M8x80
- Hexagon socket head cap screw M8x25
- Washer 8
- Plain washer 8
- Hexagon nut M8
- O rubber rings Ø12x3
- Tin Roof Hook A
- Clamp 1 for ECO Rail
- Clamp 2 for ECO Rail
- ezClip Spring
- Lock washer M8x18
- Hexagon socket head cap screw M8x28

## ER-TL-5/PS ER-TL-10/PS



### Fixed Tilt Legs, 5 degree, 10 degree, pre-assembled

- Front Leg Bracket (Anodized)
- Fix foot II (Anodized)
- L-feet (Anodized)
- Leg Strug II-167/261 (Anodized)
- Z Module (Anodized, grounding)
- Z Module (Anodized)
- Buildex 14-11x70 Hex Head Zips screw
- Hexagon socket head cap screw M8x25
- Hexagon socket head cap screw M8x28
- Hexagon socket head cap screw M8x55
- Hexagon socket head cap screw M8x65
- Hexagon nut M8
- Washer 8
- Rubber Pad 40x25x2
- Corrugated shim with hook (t3.5)
- External Teeth Lock Washer 8

## ER-TL-10/15 ER-TL-15/30 ER-TL-30/60 ER-TL-10/15/PS ER-TL-15/30/PS ER-TL-10/15/BA ER-TL-15/30/BA



### Adjustable Tilt legs 10-15 degree, 15-30 degree, 30-60 degree

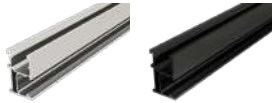
- Front Leg Bracket (Anodized)
- Fix foot II (Anodized)
- L-feet (Anodized)
- Leg Strug II-220/350/635 (Anodized)
- Leg tube II-220/350/635 (Anodized)
- Z Module (Anodized, grounding)
- Z Module (Anodized)
- Buildex 14-11x70 Hex Head Zips screw
- Hexagon socket head cap screw M8x25
- Hexagon socket head cap screw M8x28
- Hexagon socket head cap screw M8x40
- Hexagon socket head cap screw M8x65
- Hexagon nut M8
- Washer 8
- Plain washer 8
- Hexagon socket head cap screw M8x16
- Rubber Pad 40x25x2
- Corrugated shim with hook (t3.5)
- Corrugated shim, 46x22mm (grounding)
- External Teeth Lock Washer 8

## TL-10/15/L/PS TL-15/30/L/PS



### Adjustable Tilt Legs with L-feet, preassembly

- L-feet (Anodized)
- Leg Strug II-220/350 (Anodized)
- Leg tube II-220/350 (Anodized)
- Z Module (Anodized, grounding)
- Z Module (Anodized)
- Buildex 14-11x70 Hex Head Zips screw
- Hexagon socket head cap screw M8x28
- Hexagon socket head cap screw M8x40
- Hexagon socket head cap screw M8x65
- Hexagon nut M8
- Washer 8
- Plain washer 8
- Hexagon socket head cap screw M8x16
- Rubber Pad 38x38x2
- Corrugated shim with hook (t3.5)
- Corrugated shim, 46x22mm (grounding)
- External Teeth Lock Washer 8
- Tin Roof Hook for Tilt Leg



## ER-R-ECO ER-R-ECO/BA

### ECO Rail

- With standard lengths  
2100mm  
3150mm  
4200mm



## ER-SP-ECO ER-SP-ECO/BA

### Splice for ECO Rail

- Splice with a standard length of 200mm
- Hexagon socket head cap screw M8x12

## ER-EC-DU35/40



### End Clamp, Dual 35 or 40mm

- End Clamp, Dual 35 or 40mm
- Z Module (Anodized)
- Washer 8
- Hexagon socket head cap screw M8x35

## ER-EC-DU40/46



### End Clamp, Dual 40 or 46mm

- End Clamp, Dual 40 or 46mm
- Z Module (Anodized)
- Washer 8
- Hexagon socket head cap screw M8x35

## R-ECO/XXXX/AUMF



### Australian Made Cutter Rail

- With standard lengths  
4200mm  
4400mm

## SCO-ECO/380



### Side Channel Cover for Cutter-Rail, length 380 mm

## ER-EC-ST ER-EC-ST/BA



### Inter Clamp, Standard

- Inter Module Clamp 28mm, 35mm, 38mm, 40mm, 46mm, 50mm, 57mm
- 28mm with Hex Socket Head Bolt A2-70 M8x40mm
- 35mm with Hex Socket Head Bolt A2-70 M8x45mm
- 38mm with Hex Socket Head Bolt A2-70 M8x50mm
- 40mm with Hex Socket Head Bolt A2-70 M8x50mm
- 46mm with Hex Socket Head Bolt A2-70 M8x55mm
- 50mm with Hex Socket Head Bolt A2-70 M8x60mm
- 57mm with Hex Socket Head Bolt A2-70 M8x70mm
- Z-Module
- Washer 8

## C-U/30/46 C-U/30/46/BA



### Universal Clamp for Frame Height 30-46mm

- Universal Clamp
- Module for Universal Clamp
- Hexagon Socket Button Head Screw M8x55
- Washer 8
- Spring for Universal Clamp

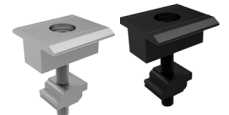
## C-U/30/46-G C-U/30/46-G/BA



### Universal Clamp for Frame Height 30-46mm with Grounding Clip

- Universal Clamp
- Module for Universal Clamp
- Grounding Clip for Universal Clamp
- Hexagon socket button head screw M8x55
- Washer 8
- ezClip Spring

## ER-IC-ST ER-IC-ST/BA



### End Clamp, Standard

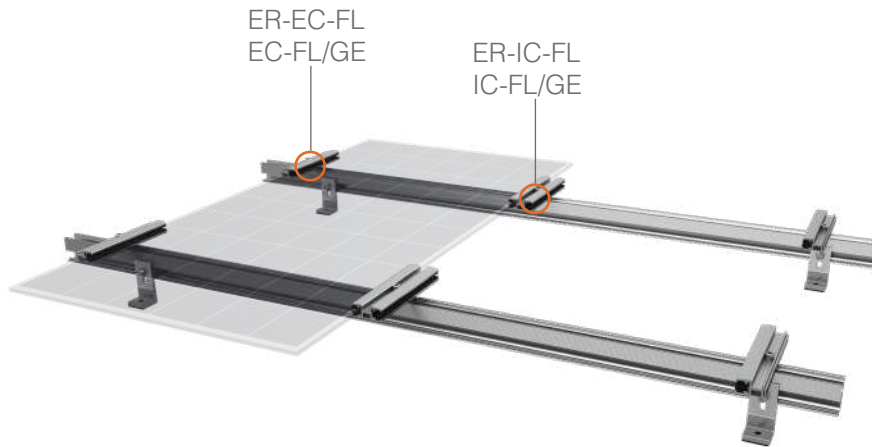
- End Module Clamp 28mm, 32mm, 35mm, 38mm, 40mm, 42mm, 46mm, 48mm, 50mm
- Z-Module
- Hex Socket Head Bolt A2-70 M8x28
- Washer 8

# PV-ezRack®

## ThinFilm

Designed for thin film and frameless or double glass PV-panels

Clenergy clamps for frameless panels are suitable for most thin film and most frameless or double glass PV-panels. Furthermore the clamps are compatible with all PV-ezRack® rails for roof and ground mount installations.



### Available accessories

Grounding/earthing  
Cable clips  
Cable trays  
Rail caps

10 Year  
Warranty\*

Commercial

Residential

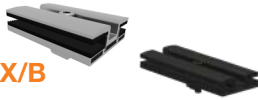
Clamps for frameless panels approved by



# PV-ezRack® ThinFilm

IC-FL/GE/6

IC-FL/GE/6/XX/B

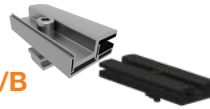


## Inter Clamp for 6mm Frameless Module (glued EPDM), Length 80mm, 120mm, 150mm

- Frameless Module (glued EPDM) Inter clamp-Upper part
- Frameless Module (glued EPDM) Inter clamp-Lower part
- Up Rubber Mat for Frameless module clamp (glued EPDM)
- Below Rubber Mat for Frameless module clamp (glued EPDM)
- Plain washer SUS304, 1mm
- Washer 8
- Hexagon socket head cap screw M8x30
- Z Module 2

EC-FL/GE/6

EC-FL/GE/6/XX/B



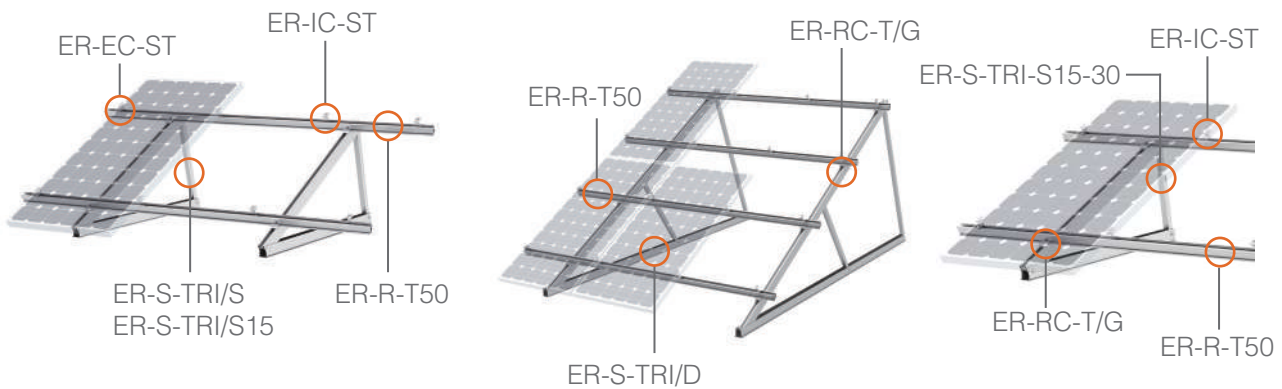
## End Clamp for 6mm Frameless Module (glued EPDM), Length 80mm, 120mm, 150mm

- Frameless Module (glued EPDM) End clamp-Upper part
- Frameless Module (glued EPDM) End clamp-Lower part
- Up Rubber Mat for Frameless module clamp (glued EPDM)
- Below Rubber Mat for Frameless module clamp (glued EPDM)
- Plain washer SUS304, 1mm
- Washer 8
- Hexagon socket head cap screw M8x30
- Z Module 2

## SolarTripod

Tilted flat roof frame designed for commercial installations

PV-ezRack® SolarTripod is designed for commercial PV-installations on flat roofs with tilted panels in portrait orientation. The supports are available in fix and adjustable tilt angles, in addition they are compatible with a wide range of purlin distances. The components are made entirely of structural grade (AL6005-T5) anodised aluminium and stainless steel. SolarTripod is available in two designs: single and double row panels.



### Main Benefits

#### Quick Installation

Completely pre-assembled, the SolarTripod supports simply need to be unfolded and secured to the roof structure for installation. For most installations the legs require only 2 fixing points each and the rails can overcome large spans. All these features result in a fast, easy and cost efficient installation, crucial for commercial projects.

#### Maximising Installation Size and Output on Small Roofs

The DoubleTripod has two rows of PV-panels in portrait orientation.

This allows you to perfectly utilise narrow roof sections while doubling the installation size and output, where you would normally only be able to fit one row of panels.

#### Simplicity

Bill of materials can be confusing and complicated. On a basic BOM for SolarTripod you will only find 6 components, keeping it simple and transparent for all parties to better understand and work with the product.

10 Year  
Warranty\*

Commercial

Residential

#### Available accessories

Grounding/earthing  
Cable clips  
Cable trays  
Rail caps

# PV-ezRack® SolarTripod

**ER-S-TRI/S30-AU**



## Solar Tripod, Single Support

- Hexagon socket head cap screw M10×65
- Plain washer 10
- Washer 10
- Hexagon nut M10
- Tripod U Bracket
- Tripod, Al-Tube 35.5×35.5×689
- Base Support 70×1350
- Upper Support 75×1250
- Bushing Ø18.5×35.5

**ER-S-TRI30-D3000**



## Solar Tripod, Double Support

- Hexagon socket head cap screw M10×65
- Hexagon nut M10
- Plain washer 10
- Washer 10
- Tripod U Bracket
- Base Support 70×3000
- Upper Support 75×3000
- Tripod, Al-Tube 35.5×35.5×801
- Tripod, Al-Tube 35.5×35.5×1562
- Bushing Ø18.5×35.5

**ER-S-TRI/S15-30**



## Adjustable Tripod

- Base Support 70×1350
- Upper Support 75×1250
- Leg Tube-358
- Leg Strug-348
- Bushing
- Double-Fixed Block(Anodized)
- Set screw M8×12
- Hexagon Socket bolt M10×65
- Hex nut M10
- Washer 10
- Flat washer 10
- U Bracket
- Bushing Ø18.5×35.5

**ER-R-T50**



## T-Rail 50

- With standard lengths:  
2560mm  
3405mm  
4200mm

**ER-SP-T50**



## Splice for T-Rail 50

- Splice with standard length of 300mm
- Self-Tapping Screw ST6.3x22

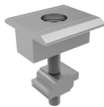
**ER-RC-T/G**



## Rail Clamp for T-Rail with grounding/earthing pins

- Rail Clamp with pins 50x30x11.8mm
- Hex Socket Head Bolt M8x30mm
- Spring Washer M8
- Z-Module

**ER-IC-ST**



## Inter Clamp, Standard

- Inter Module Clamp 28mm, 35mm, 38mm, 40mm, 46mm, 50mm, 57mm
- 28mm with Hex Socket Head Bolt A2-70 M8x40mm
- 35mm with Hex Socket Head Bolt A2-70 M8x45mm
- 38mm with Hex Socket Head Bolt A2-70 M8x50mm
- 40mm with Hex Socket Head Bolt A2-70 M8x50mm
- 46mm with Hex Socket Head Bolt A2-70 M8x55mm
- 50mm with Hex Socket Head Bolt A2-70 M8x60mm
- 57mm with Hex Socket Head Bolt A2-70 M8x70mm
- Z-Module
- Washer 8

**ER-EC-ST**



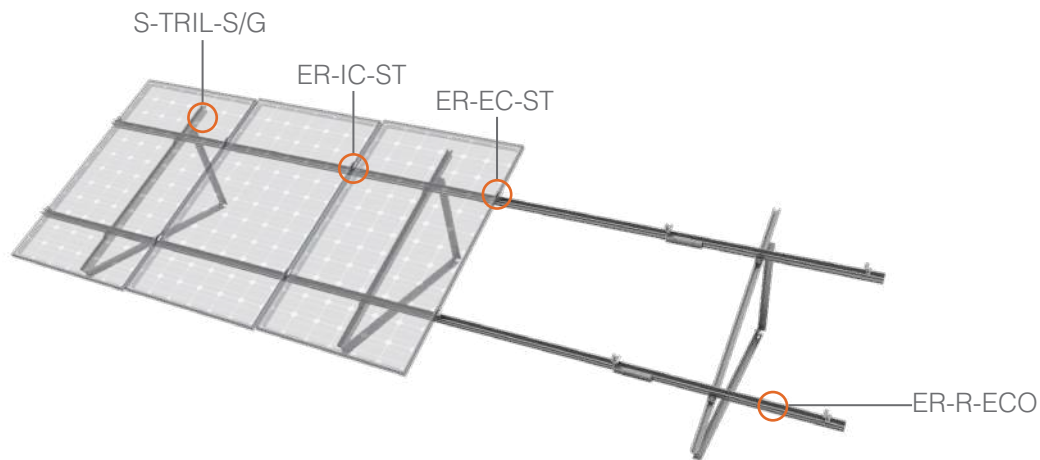
## End Clamp, Standard

- End Module Clamp 28mm, 32mm, 35mm, 38mm, 40mm, 42mm, 46mm, 48mm, 50mm
- Z-Module
- Hex Socket Head Bolt A2-70 M8x28
- Washer 8

## Solar Tripod Lite with Grounding Rail Clamp

Pre-assembled residential and commercial flat roof mounting system

The PV-ezRack® Solar Tripod Lite with pre-assembled Supports, including pre-installed Rail Clamps, is an economical mounting system, which is suitable for residential and commercial flat roofs. It has one of the fastest installation speed in its class. This system is manufactured from structural grade aluminium alloy to ensure excellent corrosion resistance and light weight.



### Main Benefits

#### Fast and Easy Installation

The Tripod supports are delivered with pre-set tilt angles, pre-assembled, which include the Rail Clamps pre-installed at the right position. This allows a quick and easy installation.

#### Cost Reduction

The combination of simple L-Shaped aluminium profiles with Z-Module channels in the support and the optimised ECO-Rail results in cost reduction without compromise in structural integrity.

#### Grounding/Earthing Function

The Rail clamps include the earthing pins, which provide continuity between rail and support. On the ECO-Rail the standard earthing clips and lugs can be used.

#### Universal Application

Standardised components are suitable for 60cell as well as for 72cell panels with the base length of 1350mm or 1700mm and with the tilt angle of 15° or 30°. Customised lengths and tilt angles are available on order.

10 Year  
Warranty\*

Commercial

Residential

Available

accessories

Grounding/earthing

Cable clips

Rail caps

# SolarTripod Lite with Grounding Rail Clamp

## S-TRIL-S/G



### Support for SolarTripod single Rail clamps pre-assembled

- Base support
- Upper support
- Base support 1350
- Base support 1700
- Upper support 1500
- Upper support 1700
- Back support 15°
- Back support 30°
- Flat Bar 30x9 (Washer)
- Hexagonal Bolt M8x25
- Hexagonal Bolt M8x30
- Hexagon nut M8
- Washer 8
- Plain washer 8
- Grounding Rail Clamp for ECO Rail
- Z-Module
- Hexagon socket head cap screw M8x30

## ER-RC-T/G



### Rail Clamp for T-Rail with grounding/earthing pins

- Rail Clamp with pins 50x30x11.8mm
- Hex Socket Head Bolt M8x30mm
- Spring Washer M8
- Z-Module

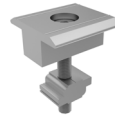
## ER-R-ECO



### ECO-Rail

- With standard lengths 4200mm
- 3150mm
- 2100mm

## ER-IC-ST



### Inter Clamp, Standard

- Inter Module Clamp 28mm, 35mm, 38mm, 40mm, 46mm, 50mm, 57mm
- 28mm with Hex Socket Head Bolt A2-70 M8x40mm
- 35mm with Hex Socket Head Bolt A2-70 M8x45mm
- 38mm with Hex Socket Head Bolt A2-70 M8x50mm
- 40mm with Hex Socket Head Bolt A2-70 M8x50mm
- 46mm with Hex Socket Head Bolt A2-70 M8x55mm
- 50mm with Hex Socket Head Bolt A2-70 M8x60mm
- 57mm with Hex Socket Head Bolt A2-70 M8x70mm
- Z-Module
- Washer 8

## ER-SP-ECO



### Splice for ECO Rail

- Splice with a standard length of 200mm
- Hexagon socket head cap screw M8x12mm

## ER-EC-ST



### End Clamp, Standard

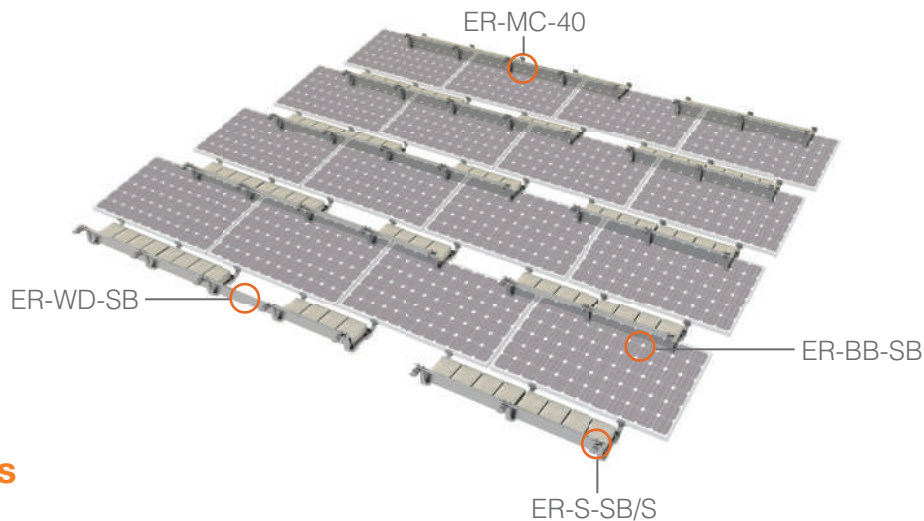
- End Module Clamp 28mm, 32mm, 35mm, 38mm, 40mm, 42mm, 46mm, 48mm, 50mm
- Z-Module
- Hex Socket Head Bolt A2-70 M8x28
- Washer 8

## SolarBase

Designed for Commercial Installations

Clenergy's low ballast roof system is specifically designed for installation of commercial roof photovoltaic systems. Highly-efficient design greatly simplifies installation, and optimal use of available space.

Designed to be used as a non-penetrative, low-ballast mounting system can also be adapted to be positively fixed to roofs where required.



### Main Benefits

#### Convenient Installation

The pre-assembled support leg with convenient and firm buckle design and simple bolt fixation saves installation time and cost for installers.

#### Advanced Design

The design of ballast and wind deflector effectively increases the stability of the photovoltaic system. The rubber pad underneath the support leg raises the whole system from the roof surface for water draining, helps to prevent corrosion and avoids damaging the roof membrane. The innovative curved structure design integrates elegance & strength. This efficient design not only reduces materials and cost but still guarantees system strength & durability.

#### Strict Quality Control

Clenergy conducts strict quality management and control of raw materials, purchasing and production process to guarantee structural integrity and service life of its manufactured systems.

#### Maximized Compatibility

Low-ballast, flat-roof system is compatible with most framed solar modules. The arrangement of arrays is very flexible, which maximizes power generation. Roof objects (air-con units, roof-lights, etc.) can be easily accommodated.

10 Year  
Warranty\*

Commercial

Residential

Available  
accessories

Grounding/earthing  
Cable clips

# PV-ezRack® SolarBase

**ER-MC-40**



**Module Clamp (aluminum)**

- PV-ezRack® Module Clamp 40 mm
- 40 Rim Clamp L35mm AL6005-T5
- Hexagon Socket bolt M8×25mm SUS304

**ER-BB-SB**



**Ballast bar (galvanized steel)**

- PV-ezRack® Ballast Bar for SolarBase, L900mm
- ballast Bar, L900×40×T3.0mm Q235B
- Hexagon nut M8mm SUS304
- Washer 8mm SUS304
- Plain washer large 8×24mm SUS304

**ER-WD-SB**



**Wind Deflector (2 options: aluminium or galvanized steel)**

- PV-ezRack® Wind Deflector for SolarBase, 10°
- Wind Deflectors 10 degree, 1700×195.8×263.6mm, aluminum AL/5052-H32
- U bolts M8×58mm Q235B
- Hexagon nut M8mm SUS304
- Washer 8mm SUS304
- Plain washer 8mm SUS304
- Fixing plate for Wind Deflectors, 120×38.1×3.5mm AL6005-T5

**ER-S-SB/S**



**Support Leg (galvanized steel)**

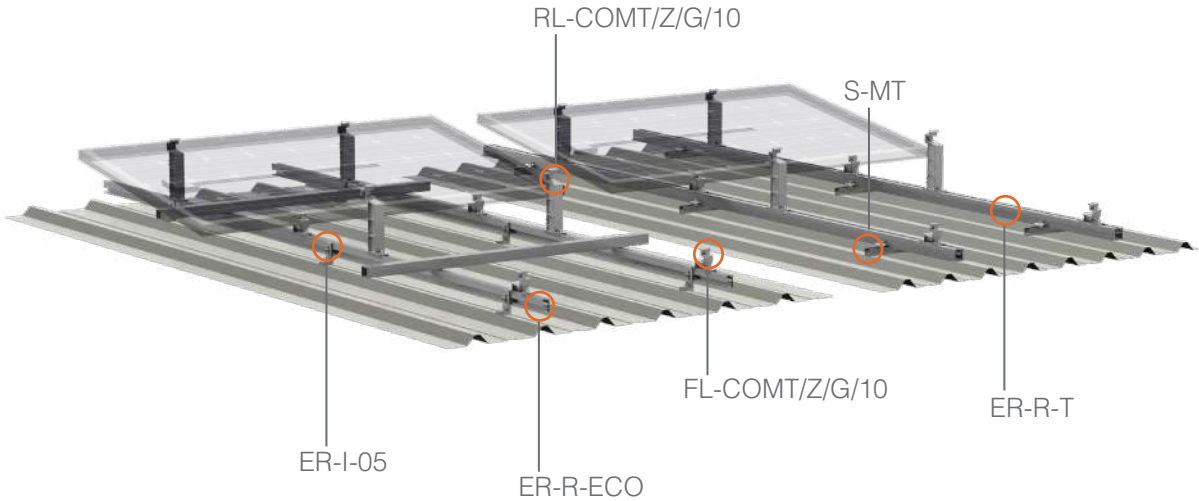
- PV-ezRack® Support Leg for SolarBase, 10°
- Support leg 579.9×40×269.6mm Q235
- Module Frame Front Mounting Clip 74.5×62×45mm AL6005-T5
- Hexagon socket head cap screw M8×75mm SUS304
- Hexagon nut M8mm SUS304
- Module Frame Back Mounting Clip 91×52×36.6mm AL6005-T5
- Hexagon socket head cap screw M8×35mm SUS304
- Washer 8mm SUS304
- Plain washer 8mm SUS304
- Cup head square neck bolts M8×45mm SUS304
- Bushing Ø18.5×20mm AL6005-T5
- O rubber rings Ø12×3mm EPDM
- Rubber Pad for leg 80×60×25mm EPDM

# PV-ezRack®

## ComT

Tilt mounting system for PV Installation on commercial tin roof

The Clenergy PV-ezRack® Commercial Tilt is a universal and fast mounting system for PV installation on all common commercial tin roofs. With its flexible and scalable design it enables perfect utilization of roof surface available. With tilt angles of 5°, 10° or 15°, the PV panels can generate a maximum output.





ER-I-09  
ER-I-29/AU  
ER-I-32/AU  
ER-I-34

## Main Benefits

### Easy and Quick Installation

Highly pre-assembled legs enable easy and fast installation. With our patented Z-Module, the legs can easily click into the slot of Rails at any given points.

### Optimize Energy Output

The Legs can mount PV panels that width up to 1200 mm. And with 5° (available soon) , 10° and 15° (available soon) tilt angles options, PV-ezRack® ComT can offer optimized energy output.

### Three Optional Solutions

The solution using MT Rail in conjunction with T-Rails and Legs is specially developed for tin roofs with a large purlin span over 3 m. And the other one using our popular L-feet, ECO Rails and new Legs offers flexible height adjustable range. Both penetrative and non-penetrative solutions are available.

### Universal

The adjustable clamps can mount framed PV panels that height from 30 to 46 mm. And with Clenergy various frameless clamps, PV-ezRack® Commercial Tilt can mount every size of frameless or thin film panels.

10 Year  
Warranty\*

Commercial

Residential

Available  
accessories

Grounding/earthing  
Cable clips

# PV-ezRack® ComT

## FL-COMT/Z/G/10



### Front Leg Assembly, 10°, with Z-Module and Grounding Pins

- ComT, front leg, 10°, with Grounding Pins
- ComT, End Clamp
- Washer 8
- Flat Washer 8
- Hexagon socket head cap screw M8x25
- Hexagon socket head cap screw M8x40
- spring 10.2x30
- Z Module (Anodized)

## RL-COMT/Z/G/10



### Rear Leg Assembly, 10°, with Z-Module and Grounding Pins

- ComT, Rear leg, 10°, with Grounding Pins
- ComT, End Clamp
- Washer 8
- Flat Washer 8
- Hexagon socket head cap screw M8x25
- Hexagon socket head cap screw M8x40
- O rubber rings Ø10x1.9
- Z Module (Anodized)

## ER-R-ECO



### ECO Rail

— Aluminium profile of ECO Rail

## ER-R-T110



### ER-R-T110

— T-Rail, 110mm

## ER-R-T50



### T-Rail 50

- With standard lengths  
2560mm  
3405mm  
4200mm

## ER-I-05/CM



### Tin Interface with Click Module Assembly

- Tin Roof Hook
- Rubber Pad 38x38x2
- Main Click Module
- Side Click Module
- Washer 8
- Lock Washer M8x18
- Hexagon socket head cap screw M8x28
- Buildex 14-11x70 Hex Head Zips screw

## ER-I-05



### Tin Interface

- Tin Roof Hook
- Rubber Pad
- Z-Module
- Washer 8mm
- Lock Washer 8mm A2
- Hex Socket Head Bolt M8x28mm
- Buildex 14-11x70 Hex Head Zips screw

## S-MT/240



### MT-Rail Support, 240mm

- MT-Rail 240mm
- Rubber Pad 40x25x2
- Buildex 14-11x70 Hex Head Zips screw

## ER-I-05A/EZC/ECO



### Tin Interface A with ezClick connection for ECO-Rail

- Tin Roof Hook A
- Rubber Pad 38x38x2
- Clamp 1 for ECO Rail
- Clamp 2 for ECO Rail
- ezClip Spring
- Lock washer M8x18
- Hexagon socket head cap screw M8x28
- Buildex 14-11x70 Hex Head Zips screw

## ER-I-25



### Tin Interface with Curved Base for Corrugated Roof (Z Module + Bolt + Universal Screw)

- L-shaped Corrugated Tin Feet Base
- Rubber Pad 53x40x2
- Z Module (Anodized)
- Washer 8
- Lock washer M8x18
- Hexagon socket head cap screw M8x28
- Buildex 14-11x70 Hex Head Zips screw

## ER-RC-T/DM



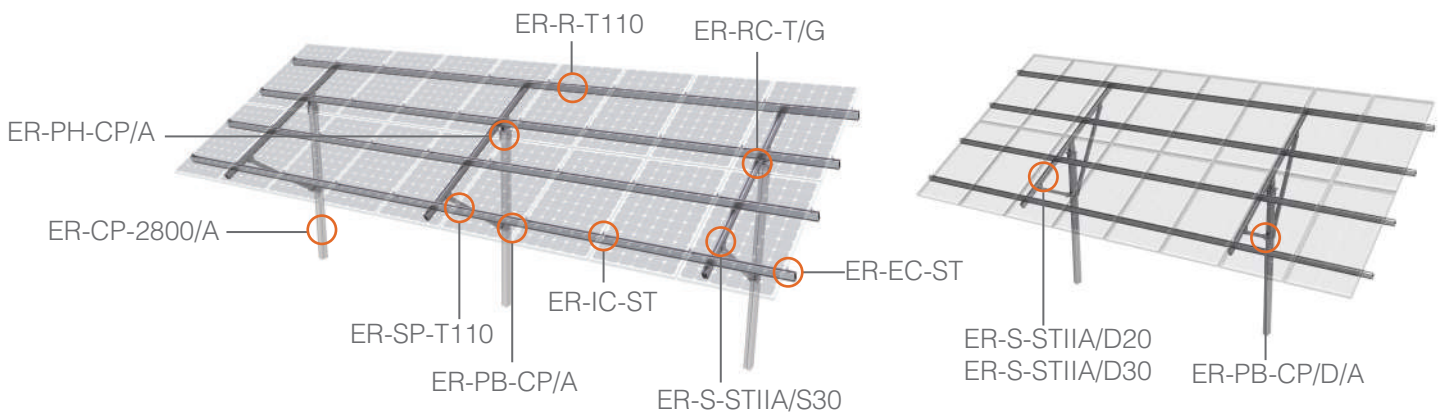
### Rail Clamp for T-Rail, with Diamond Module

- ezRack Rail Clamp for T-Rail
- Diamond module M8 (for SolarMatrix)
- Hexagon socket head cap screw M8x30
- Washer 8

## SolarTerrace II-A

Pre-assembled, durable and earthed ground mount frame with ramming

PV-ezRack® SolarTerrace II-A is a pre-assembled ground mount system with full earthing function suitable for commercial and utility scale installations. This quality frame is trimmed at every angle for fast deployment reducing labour costs. It was designed with a unique post profile which allows reduced embedment and therefore saves on material and labour. These features, combined with its high grade of pre-assembly make SolarTerrace II-A one of the best ground mount system you can find.



### Main Benefits

#### Reduced Labour Costs

Through our unique, patented component design and pre-assembled supports with pre-installed positioning clamps\*\* labour time and costs are greatly reduced.

#### Reduced Component Costs

Our unique C-Post was designed specifically for ramming. This results in an increased friction against up-lift and it therefore requires less embedment as conventional standard posts or I-beams, which reduces not only labour time for ramming but also material costs.

#### Wide Range of Adjustments

As ramming can never be done exact on millimetre, the post head is designed with sufficient horizontal rotation and vertical adjustments. This combined with a generous design tolerance levels makes it easy to get the panels perfectly aligned even if the ramming isn't 100%.

#### Full Earthing Function

With pre-fitted pressure bolts and star washers in post head, post brace and pre-assembled support, it can create earthing continuity from T rail to post. In this way, SolarTerrace II-A system is a full earthing system.

10 Year  
Warranty\*

Utility

Commercial

#### Available accessories

Grounding/earthing  
Cable clips  
Cable trays  
Inverter/joint box bracket  
Rail and Girder cap

## ER-CP-2800/A



### C-Post 2800mm

- Foundation C-Post L2800x140x95 mm

## GE-STA/200



### Girder Extension for SolarTerrace-A (II and III) 200mm

- Splice for Tri-Groove Square Girder
- Flange Facing Self-Tapping Screw (washer) ST6.3x22
- Alum profile of tri-groove Beam 200

## ER-RC-T/G



### Rail Clamp for T-Rail with grounding/earthing pins

- Rail Clamp with pins 50x30x11.8mm
- Hex Socket Head Bolt M8x30
- Spring Washer M8
- Z-Module

## ER-PH-CP/A



### Post Head for C-Post with Grounding

- Clasp AL/6005-T5
- V-Spring
- T-Head 142x166x126mm
- T-Head Base 142x166x138.3mm
- Hex Socket Head Bolt M12x35
- Hex Socket Head Bolt M12x130
- Flat Washer 12mm
- Spring Washer 12mm
- Hexagonal Nut
- Rivet1
- External Teeth Lock Washer 12
- Set screw M8x12

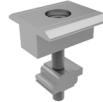
## ER-R-T110



### T-Rail 110

- T-Rail 65x110mm
- Standard Lengths 4200mm and 5200mm

## ER-IC-ST



### Inter Clamp, Standard

- Inter Module Clamp 28mm, 35mm, 38mm, 40mm, 46mm, 50mm, 57mm
- 28mm with Hex Socket Head Bolt A2-70 M8x40mm
- 35mm with Hex Socket Head Bolt A2-70 M8x45mm
- 38mm with Hex Socket Head Bolt A2-70 M8x50mm
- 40mm with Hex Socket Head Bolt A2-70 M8x50mm
- 46mm with Hex Socket Head Bolt A2-70 M8x55mm
- 50mm with Hex Socket Head Bolt A2-70 M8x60mm
- 57mm with Hex Socket Head Bolt A2-70 M8x70mm
- Z-Module
- Washer 8

## ER-PB-CP/A



### Post Brace for C-Post with Grounding

- Hinge Leaf
- Post Joint
- Rivet 2
- Hex Socket Head Bolt M12x55mm
- Hex Socket Head Bolt M12x100mm
- Spring Washer 12mm
- Flat Washer 12
- Hexagonal Nut M12
- External Teeth Lock Washer 12
- Set screw M8x12

## ER-SP-T110



### Splice for T-Rail 110

- Splice 45.7x105.6mm
- Flange Facing Self-Tapping Screw (washer) ST6.3x22

## ER-EC-ST



### End Clamp, Standard

- End Module Clamp 28mm, 32mm, 35mm, 38mm, 40mm, 42mm, 46mm, 48mm, 50mm
- Z-Module
- Hex Socket Head Bolt A2-70 M8x28
- Washer 8

## ER-PB-CP/D/A



### Post Brace for C-Post on Double Support with Grounding

- Post Joint with Grounding Hole
- Hinge Leaf
- Rivet2
- Hexagonal Bolt M12x55
- Hexagonal nut M12x100
- Hexagon nut M12
- Washer 12
- Plain washer 12
- External Teeth Lock Washer 12
- Set screw M8x12

## ER-S-STIIA/S30; 2800mm girder



### Support (pre-assembled)

- Tri Groove Beam 2800mm
- H-Joint
- Hex Socket Head Bolt M12x100
- Hex Socket Head Bolt M12x110
- Spring Washer 12mm
- Spring Washer 8mm
- Joint Shoe with grounding hole L60x73x114mm
- T Slide Clamp
- Tube Support/S
- Plain Washer 8mm
- Plain Washer 12mm
- Hexagonal Nut M12
- Hexagonal Nut M8
- Corrugated H-Joint
- Corrugated Shim
- Hexagon socket head cap screw M8x25
- Hexagon socket head cap screw M8x40
- External Teeth Lock Washer 8
- External Teeth Lock Washer 12
- Set screw M8x12

## ER-S-STIIA/D20; 3200mm girder ER-S-STIIA/D30; 3200mm girder



### Support (pre-assembled)

- Tri Groove Beam 3200mm
- H-Joint
- Hex Socket Head Bolt M12x100
- Hex Socket Head Bolt M12x110
- Spring Washer 12mm
- Spring Washer 8mm
- Joint Shoe with grounding hole L60x73x114mm
- T Slide Clamp
- Tube Support/D
- Plain Washer 8mm
- Plain Washer 12mm
- Hexagonal Nut M12
- Hexagonal Nut M8
- Corrugated H-Joint
- Corrugated Shim
- Hexagon socket head cap screw M8x25
- Hexagon socket head cap screw M8x40
- External Teeth Lock Washer 8
- External Teeth Lock Washer 12
- Set screw M8x12

## BR-R110/EW/G



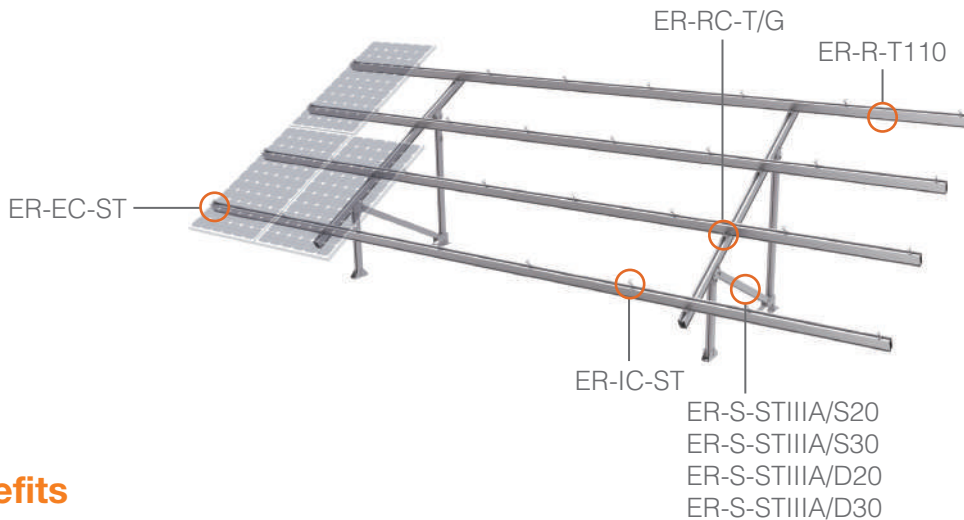
### PV-ezRack East/West Adjustable Bracket for T-Rail 110 with grounding

- East/West adjustable bracket with Grounding Hole-top
- Bushing Ø18.5x9
- East/West adjustable bracket-bottom
- Hexagon socket head cap screw M8x25
- Washer 8
- Z Module
- Hexagonal Bolt M12x50
- Washer 12
- External Teeth Lock Washer 12
- Hexagon nut M12
- Corrugated shim (t6) with Ø8.5 hole
- Hexagon socket head cap screw M8x30
- O rubber rings Ø12x3
- Grounding Clip, with clenergy logo
- Grounding Rail Clamp for T Rail

## SolarTerrace III-A

Universal and earthed ground mount frame for corrosive environments and for tough soil conditions

Manufactured from high quality structural grade and anodised aluminium, PV-ezRack® SolarTerrace III-A is the perfect mounting solution for corrosive environments. The support legs can be installed either with concrete ballast footing or on ground screws which makes it suitable for almost every soil condition. Its user friendly high level of prefabrication makes it easy to install and therefore practical for smaller commercial and even for residential installations.



### Main Benefits

#### Durable Even in Harsh Environments

STIII-A contains only 6005 Aluminium alloy and 304 stainless steel (316 on request), which makes it suitable for even the toughest environments, such as corrosive sites close to coastlines.

#### Support Leg Is Delivered in One Piece

The support legs of the STIII-A are completely pre-assembled, they only needed to be opened up and secured to the foundation. They even have the positioning rail clamps pre-installed\*\*, so you don't need to measure and mark the rail positions anymore. The combination of these features is saving valuable time in assembly and logistics, making it one of the fastest system on the market.

#### Suitable for All Soil and Ground Type

The support legs can be installed either with a concrete ballast footing or with ground screws. This makes STIII-A suitable for the most challenging soil conditions where ramming is not possible.

#### Full Earthing Function

With pre-fitted pressure bolts and star washers in the pre-assembled support, it can create earthing continuity from T rail to support. In this way, SolarTerrace III-A system is a full earthing system.

10 Year  
Warranty\*

Commercial

Residential

Utility

#### Available accessories

Grounding/earthing  
Cable clips  
Cable trays  
Inverter/joint box bracket  
Rail and Girder cap

## ER-R-T110



### T-Rail 110mm

- T-Rail 65x110mm
- Length from 2000mm to 6100mm
- Standard Lengths 4200mm and 5200mm

## ER-SP-T110



### Splice for T-Rail 110

- Splice 45.7x105.6mm
- Flange Face Self-Tapping Screw
- Self tapping screw M6.3x22

## GE-STA/200



### Girder Extension for SolarTerrace-A (II and III) 200mm

- Splice for Tri-Groove Square Girder
- Flange Facing Self-Tapping Screw (washer) ST6.3x22
- Alum profile of tri-groove Beam 200

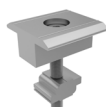
## ER-RC-T/G



### Rail Clamp for T-Rail with grounding/earthing pins

- Rail Clamp with pins 50x30x11.8mm
- Hex Socket Head Bolt M8x30
- Spring Washer M8
- Z-Module

## ER-IC-ST



### Inter Clamp, Standard

- Inter Module Clamp 28mm, 35mm, 38mm, 40mm, 46mm, 50mm, 57mm
- 28mm with Hex Socket Head Bolt A2-70 M8x40mm
- 35mm with Hex Socket Head Bolt A2-70 M8x45mm
- 38mm with Hex Socket Head Bolt A2-70 M8x50mm
- 40mm with Hex Socket Head Bolt A2-70 M8x50mm
- 46mm with Hex Socket Head Bolt A2-70 M8x55mm
- 50mm with Hex Socket Head Bolt A2-70 M8x60mm
- 57mm with Hex Socket Head Bolt A2-70 M8x70mm
- Z-Module
- Washer 8

## ER-EC-ST



### End Clamp, Standard

- End Module Clamp 28mm, 32mm, 35mm, 38mm, 40mm, 42mm, 46mm, 48mm, 50mm
- Z-Module
- Hex Socket Head Bolt A2-70 M8x28
- Washer 8

## ER-S-STIIIA/S20; 2800mm girder ER-S-STIIIA/S30; 2800mm girde



### SolarTerrace III-A Support (pre-assembled)

- STIIIA-A, Slotted Al-Tubes 60x60xL with Grounding Hole
- H Joint L135.6x74.5x119
- 0° H Joint L140x74.5x119
- Corrugated U-anchor Plate with Grounding Hole L180x73.5x100
- Corrugated L-anchor Plate L180x55x100
- Alum Profile of tri-groove Beam 2800mm
- Hexagon socket head cap screw M8x25
- Plain washer 8
- Hexagon socket head cap screw M8x40
- Hexagon nut M8
- External Teeth Lock Washer 8
- Washer 8
- T slide clamp
- Hexagonal bolt M12x100
- Hexagonal bolt M12x110
- Set screw M8x12
- External Teeth Lock Washer 12
- Hexagon nut M12
- Washer 12
- Plain washer 12
- corrugated shim

## ER-S-STIIIA/D20; 3200mm girder ER-S-STIIIA/D30; 3200mm girder



### SolarTerrace III-A Support (pre-assembled)

- STIIIA-A, Slotted Al-Tubes 60x60xL with Grounding Hole
- H Joint L135.6x74.5x119
- 0° H Joint L140x74.5x119
- Corrugated U-anchor Plate with Grounding Hole L180x73.5x100
- Corrugated L-anchor Plate L180x55x100
- Alum profile of tri-groove Beam 3200mm
- Hexagon socket head cap screw M8x25
- Plain washer 8
- Hexagon socket head cap screw M8x40
- Hexagon nut M8
- External Teeth Lock Washer 8
- Washer 8
- T slide clamp
- Hexagonal bolt M12x100
- Hexagonal bolt M12x110
- Set screw M8x12
- External Teeth Lock Washer 12
- Hexagon nut M12
- Washer 12
- Plain washer 12
- corrugated shim

## BR-R110/EW/G



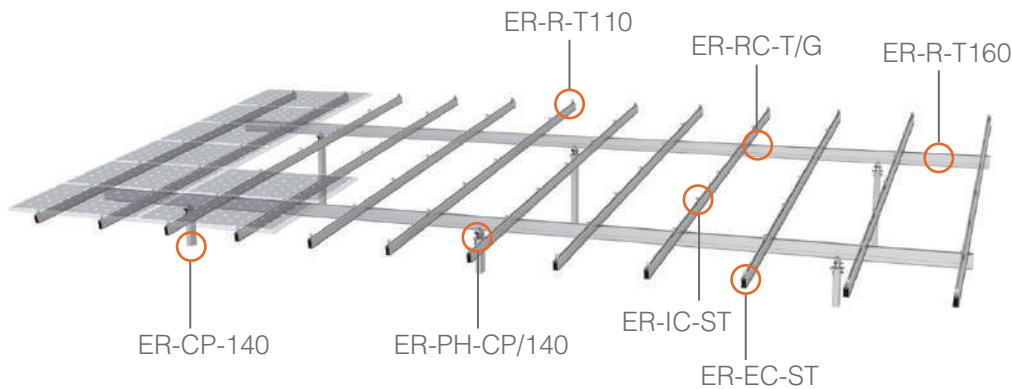
### PV-ezRack East/West Adjustable Bracket for T-Rail 110 with grounding

- East/West adjustable bracket with Grounding Hole-top
- Bushing Ø18.5x9
- East/West adjustable bracket-bottom
- Hexagon socket head cap screw M8x25
- Washer 8
- Z Module
- Hexagonal Bolt M12x50
- Washer 12
- External Teeth Lock Washer 12
- Hexagon nut M12
- Corrugated shim (t6) with Ø8.5 hole
- Hexagon socket head cap screw M8x30
- O rubber rings Ø12x3
- Grounding Clip, with clenergy logo
- Grounding Rail Clamp for T Rail

## SolarTerrace V

Utility scale ground mount frame with time saving smart design

PV-ezRack® SolarTerrace V is developed for utility scale PV-deployments with panels in landscape orientation. The system offers a wide range of adjustability, easy deployment and enables the implementation of large arrays. STV is a simple and robust structure so it can be installed even with untrained labour forces. All these features result in fast, easy and cost efficient installation. Main aluminium components have a standard 10µm anodisation.



### Main Benefits

#### Post-head Adjustability

The smart design of the Post head provides adjustments in all directions to balance out inaccuracies which often occur through the nature of the ramming process. These generous adjustments allow easier and quicker installation.

#### Easy Deployment

The connection between the main beams (Clipped T-rail 160) and the Post head is using special, spring supported rail clamps which easily slide and clip on to the bottom of the rail eliminating the often used and time consuming nut and bolt connection.

#### Utility Optimised Large Arrays

STV is designed for utility scale applications and therefore offers large arrays, huge horizontal spans combined with up to 6 landscape panels (72 cells) in one row. Furthermore the design allows the panel rows to be pre-assembled to the rails off-site in controlled environment. All this saves valuable installation time on-site and increases efficiency during installation.

#### Simplicity

Sometimes bill of materials can be confusing and complicated. Not with Clenergy, on a basic BOM for STV you will only find 8 components. Keeping it simple and transparent helps all parties to understand and work with the product better.

10 Year  
Warranty\*

Commercial

Residential

#### Available

#### accessories

Grounding/earthing

Cable clips

Rail caps

Inverter/joint box bracket

Rail and Girder cap

**ER-R-T160**



**Clipped T-Rail 160**

- Clipped T-Rail 92x160mm
- Length up to 6100mm

**ER-SP-T160**



**Splice for Clipped T-Rail 160**

- Splice for Clipped T-Rail 160
- Flange Face Self-Tapping Screw (with washer) ST6.3x22mm

**ER-CP-140**



**C-Post 140**

- C-Post 70x140mm

**ER-PH-CP/140**



**Post Head for C post 140**

- Mounting Base for Clipped T-160 Rail
- Rail clamp for Clipped T-160 Rail
- Snap-head bolt M8x40
- Hexagon nut with flange M8
- Washer M8.5x20
- ezClip Spring
- Corragated shim
- Washer 12mm
- Plain washer 12mm
- Hexagon nut M12
- Bushing Ø18.5x35.5mm
- Upper T-Head
- Hexagonal bolt M12x25
- Lower T-Head
- Hexagonal bolt M12x110

**ER-PH-CP/140/EW**



**Post Head for C post 140/EW**

- Mounting Base for Clipped T-160 Rail
- Rail clamp for Clipped T-160 Rail
- Snap-head bolt M8x40
- Hexagon nut with flange M8
- Washer M8.5x20
- ezClip Spring
- Corragated shim
- Washer 12mm
- Plain washer 12mm
- Hexagon nut M12
- Bushing Ø18.5x35.5mm
- Upper T-Head
- Hexagonal bolt M12x25
- Lower T-Head
- Hexagonal bolt M12x110

**ER-R-T110**



**T-Rail 110mm**

- T-Rail 65x110mm
- Length from 2000mm to 6100mm
- Standard Lengths 4200mm and 5200mm

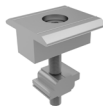
**ER-RC-T/G**



**Rail Clamp for T-Rail with grounding/earthing pins**

- Rail Clamp with pins 50x30x11.8mm
- Hex Socket Head Bolt M8x30
- Spring Washer M8
- Z-Module

**ER-IC-ST**



**Inter Clamp, Standard**

- Inter Module Clamp 28mm, 35mm, 38mm, 40mm, 46mm, 50mm, 57mm
- 28mm with Hex Socket Head Bolt A2-70 M8x40mm
- 35mm with Hex Socket Head Bolt A2-70 M8x45mm
- 38mm with Hex Socket Head Bolt A2-70 M8x50mm
- 40mm with Hex Socket Head Bolt A2-70 M8x50mm
- 46mm with Hex Socket Head Bolt A2-70 M8x55mm
- 50mm with Hex Socket Head Bolt A2-70 M8x60mm
- 57mm with Hex Socket Head Bolt A2-70 M8x70mm
- Z-Module
- Washer 8

**ER-EC-ST**



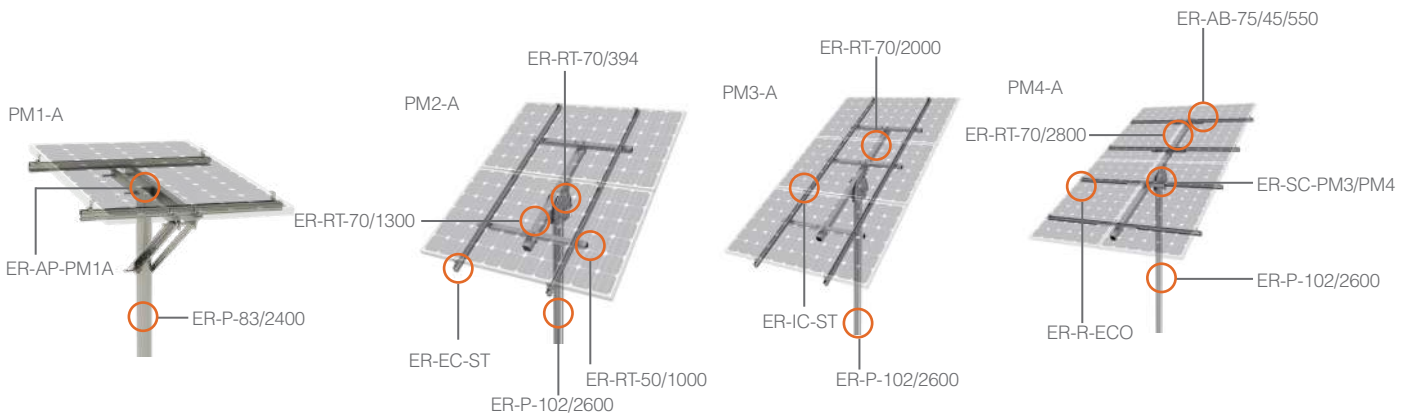
**End Clamp, Standard**

- End Module Clamp 28mm, 32mm, 35mm, 38mm, 40mm, 42mm, 46mm, 48mm, 50mm
- Z-Module
- Hex Socket Head Bolt A2-70 M8x28
- Washer 8

## PostMount 1-A, 2-A, 3-A and 4-A

Robust pole mount system with adjustable angle for one, two, three and four panels

PV-ezRack® PostMount-A delivers flexible and durable designs to mount from one to four panels per post. It's ideal for remote off-grid applications such as water pumps or small residential and commercial systems. The panel tilt is easily adjustable between 10° and 60° throughout the year and comes with hassle-free mounting thanks to patented components such as the PV-ezRack® rails and clamps. The combination of high quality aluminium, stainless steel and galvanised steel components make this a robust, reliable system with excellent corrosion resistance.



### Main Benefits

#### Suitable for Every Soil Condition

With its concrete foundation, PostMount can be installed on even or uneven ground or on a slope, making it suitable for any soil type and a wide range of applications.

#### Adjustable Tilt Angle

The steel cap (post head) is designed to tilt panels between 10° and 60° to ensure that you get the required power output you need – anywhere, anytime. Changing the angle merely requires a single pair of spanners.

#### Robust and Reliable

Mounted on aluminium rails the panels are supported by robust galvanised steel landscape and master tubes secured with stainless steel bolts. The post can be fixed into a concrete foundation and also used as a ramming option.

#### Quick and Easy Installation

Innovative and internationally patented, the Z-Module technology is used in almost all PV-ezRack® components. The Z-Module provides a quick, easy and safe installation method and can be inserted into the rail at any given point, secured with just three hand grips.

10 Year  
Warranty\*

Commercial

Residential

Available  
accessories

Grounding/earthing  
Cable clips  
Rail and Girder cap

## ER-P-102/2600 ER-P-83/2400



### Pipe Diameter Ø 102x2600(PM2,3,4-A Pole)

- Pipe Diameter Ø102x2600

### Pipe Diameter Ø83x2400(PM1-A Pole)

- Pipe Diameter Ø83x2400

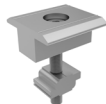
## ER-RT-70/394



### Adjustable Tube 70x50x394

- Adjustable Tube 70x50x394
- Hexagonal bolt M14x120
- Hexagon nut M14
- Plain washer 14
- Washer 14

## ER-IC-ST



### Inter Clamp, Standard

- Inter Module Clamp 28mm, 35mm, 38mm, 40mm, 46mm, 50mm, 57mm
- 28mm with Hex Socket Head Bolt A2-70 M8x40mm
- 35mm with Hex Socket Head Bolt A2-70 M8x45mm
- 38mm with Hex Socket Head Bolt A2-70 M8x50mm
- 40mm with Hex Socket Head Bolt A2-70 M8x50mm
- 46mm with Hex Socket Head Bolt A2-70 M8x55mm
- 50mm with Hex Socket Head Bolt A2-70 M8x60mm
- 57mm with Hex Socket Head Bolt A2-70 M8x70mm
- Z-Module
- Washer 8

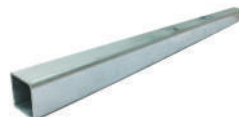
## ER-RT-50/1000



### Rectangular Tube

- Rectangular Tube-Landscape 50x50x1000

## ER-RT-70/1300 ER-RT-70/2000 ER-RT-70/2800



### Rectangular Tube 70x70xL

- Rectangular Tube 70x70xL

## ER-AB-75/45/550



### Angle Bracket 75x45x550

- Postmount4-A Angle Bracket 75x45x550
- U bolt for Tube110
- Plain washer 10
- Washer 10
- Hexagon nut M10
- Hexagon socket head cap screw M8x28
- Plain washer 8
- Washer 8
- Hexagon nut M8
- Cross connection clamp

## SC-PM2/3/4A



### Steel Cap Assembly

- Steel Cap of PM3-A, PM4-A
- Square washer for PM3-A, PM4-A
- Hexagonal bolt M14x150
- Hexagonal bolt M14x110
- Plain washer 14
- Washer 14
- Hexagon nut M14
- U washer T1.0 (for PM-A system)
- U washer T2.0 (for PM-A system)

## ER-R-ECO



### ECO Rail

- Aluminium profile of ECO Rail

## ER-EC-ST



### End Clamp, Standard

- End Module Clamp 28mm, 32mm, 35mm, 38mm, 40mm, 42mm, 46mm, 48mm, 50mm
- Z-Module
- Hex Socket Head Bolt A2-70 M8x28
- Washer 8

## ER-AP-PM1A



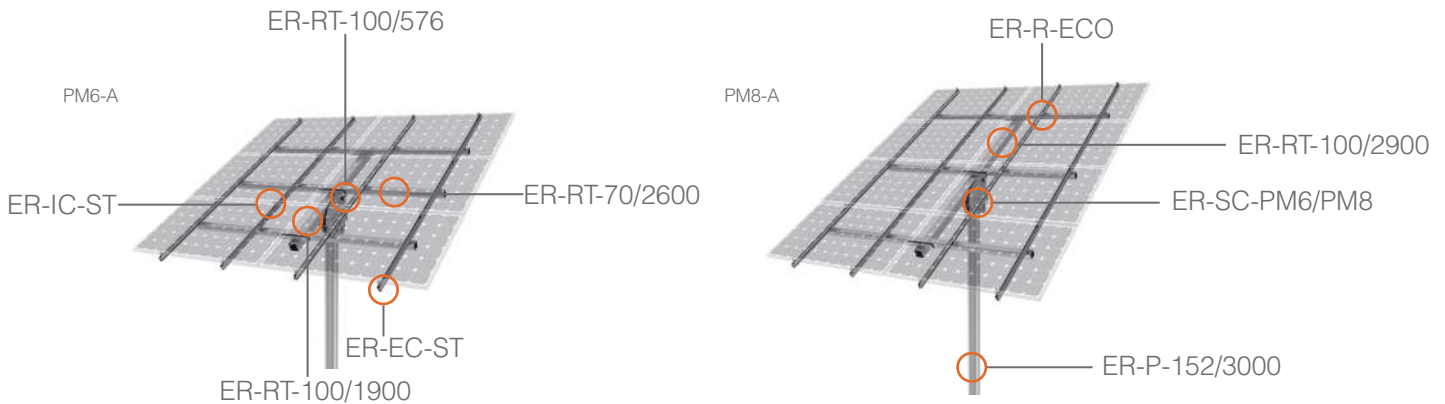
### PV-ezRack® PM1-A, Accessory Package

- Aluminum Profile Of ECO-rail 1100, L1100mm
- Angle Steel 63x40x1010xT4mm
- Angle Steel 40x40x682xT4mm, Right Supporting Rod
- Angle Steel 40x40x682xT4mm, Left Supporting Rod
- Sleeve Ø20x83xT3mm
- Cross Connection Clamp of ECO-rail, L40mm
- Cup Head Square Neck Bolts M8x25
- Hexagon Nut With Flange M8
- Hexagonal Bolt S M12x120
- Plain Washer 12mm
- Washer 12mm
- Hexagon Nut M12
- End Clamp 40mm
- Hexagon Socket Head Cap Screw M8x28
- Washer 8
- Z module, L20mm

## PostMount 6-A and 8-A

Robust pole mount system with adjustable angle for six and eight panels

PV-ezRack® PostMount-A delivers flexible and durable designs to mount six or eight panels per post. It is ideal for remote off-grid applications such as water pumps or small residential and commercial systems. The panel tilt is easily adjustable between 10° and 60° throughout the year and comes with hassle-free mounting thanks to patented components such as the PV-ezRack® rails and clamps. The combination of high quality aluminium, stainless steel and galvanised steel components make this a robust, reliable system with excellent corrosion resistance.



### Main Benefits

#### Suitable for Every Soil Condition

With its concrete foundation, PostMount can be installed on even or uneven ground or on a slope, making it suitable for any soil type and a wide range of applications.

#### Adjustable Tilt Angle

The steel cap (post head) is designed to tilt panels between 10° and 60° to ensure that you get the required power output you need – anywhere, anytime. Changing the angle merely requires a single pair of spanners.

#### Robust and Reliable

Mounted on aluminium rails the panels are supported by robust galvanised steel landscape and master tubes secured with stainless steel bolts. The post can be fixed into a concrete foundation and also used as a ramming option.

#### Quick and Easy Installation

Innovative and internationally patented, the Z-Module technology is used in almost all PV-ezRack® components. The Z-Module provides a quick, easy and safe installation method and can be inserted in to the rail at any given point, secured with just three hand grips.

10 Year  
Warranty\*

Commercial

Residential

Available  
accessories

Grounding/earthing  
Cable clips  
Rail and Girder cap

# PV-ezRack® PostMount 6-A and 8-A

## ER-P-152/3000



### Pipe 152x3000(PM6,8-A Pole)

- Pipe Diameter  $\varnothing$ 152x3000

## ER-R-ECO



### ECO Rail

- Aluminium profile of ECO Rail

## ER-RT-100/576



### Adjustable Tube 100x50x576

- Adjustable Tube 100x50x576
- Hexagonal bolt M20x160
- Hexagon nut M20
- Plain washer 20
- Washer 20

## ER-RT-100/1900 ER-RT-100/2900



### Rectangular Tube 100x100xL

- Rectangular tube 100x100xL with pre-welded angle brackets

## ER-RT-70/2600



### Rectangular Tube

- Rectangular Tube-Landscape 70x70x2600

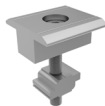
## ER-SC-PM6/PM8



### Steel Cap Assembly

- Steel Cap of PM6-A, PM8-A
- Square washer for PM6-A, PM8-A
- Hexagonal bolt M20x210
- Hexagonal bolt M20x160
- Plain washer 20
- Washer 20
- Hexagon nut M20

## ER-IC-ST



### Inter Clamp, Standard

- Inter Module Clamp 28mm, 35mm, 38mm, 40mm, 46mm, 50mm, 57mm
- 28mm with Hex Socket Head Bolt A2-70 M8x40mm
- 35mm with Hex Socket Head Bolt A2-70 M8x45mm
- 38mm with Hex Socket Head Bolt A2-70 M8x50mm
- 40mm with Hex Socket Head Bolt A2-70 M8x50mm
- 46mm with Hex Socket Head Bolt A2-70 M8x55mm
- 50mm with Hex Socket Head Bolt A2-70 M8x60mm
- 57mm with Hex Socket Head Bolt A2-70 M8x70mm
- Z-Module
- Washer 8

## ER-EC-ST



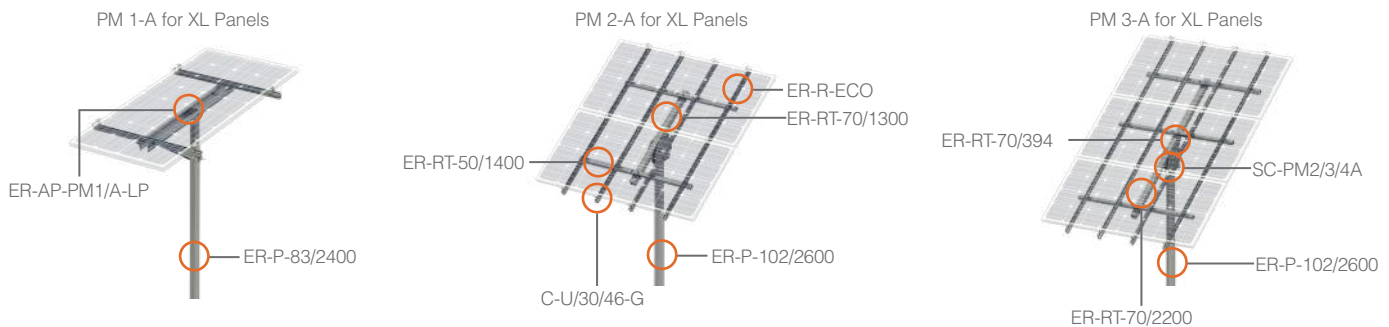
### End Clamp, Standard

- End Module Clamp 28mm, 32mm, 35mm, 38mm, 40mm, 42mm, 46mm, 48mm, 50mm
- Z-Module
- Hex Socket Head Bolt A2-70 M8x28
- Washer 8

## PostMount 1/2/3-A for XL Panels

Robust pole mount system with adjustable angle for one, two and three XL panels

Clenergy's PV-ezRack® PostMount 1/2/3-A for XL Panels delivers flexible and durable designs to mount from one to three panels, up to 2100X1100mm per post. It's ideal for remote off-grid applications such as water pumps or small residential and commercial systems. The panel tilt is easily adjustable between 10° and 60° throughout the year and comes with hassle-free mounting thanks to patented components such as the PV-ezRack® rails and clamps. The combination of high quality aluminium, stainless steel and galvanised steel components make this a robust, reliable system with excellent corrosion resistance.



### Main Benefits

#### Suitable for Every Soil Condition

With its concrete foundation, PostMount-A can be installed on even or uneven ground or on a slope, making it suitable for any soil type and a wide range of applications.

#### Adjustable Tilt Angle

The steel cap (post head) is designed to tilt panels between 10° and 60° to ensure that you get the required power output you need anywhere, anytime. Changing the angle merely requires a single pair of spanners.

#### Robust and Reliable

Mounted on aluminium rails the panels are supported by robust galvanised steel landscape and master tubes secured with stainless steel bolts. The post can be fixed into a concrete foundation and also used as a ramming option.

#### Quick and Easy Installation

Innovative and internationally patented, the Z-Module technology is used in almost all PV-ezRack® components. The Z-Module provides a quick, easy and safe installation method and can be inserted in to the rail at any given point, secured with just three hand grips.

10 Year  
Warranty\*

Commercial

Residential

Available  
accessories

Grounding/earthing  
Cable clips  
Rail and Girder cap

# PostMount 1/2/3-A for XL Panels

## ER-P-102/2600 ER-P-83/2400



### Pipe Diameter Ø102×2600(PM2,3-A for XL Panels Pole)

- Pipe Diameter Ø102×2600

### Pipe Diameter Ø83×2400(PM1-A for XL Panels Pole)

- Pipe Diameter Ø83×2400

## ER-RT-70/394



### Adjustable Tube 70×50×394

- Adjustable Tube 70×50×394
- Hexagonal bolt M14×120
- Hexagon nut M14
- Plain washer 14
- Washer 14

## EZ-GL-ST



### Grounding Lug

- Grounding Lug
- Hexagon Socket Head Cap Screw M8×25
- Z Module
- Washer 8
- Plain washer 8
- Grounding Lug Bolt
- Copper Pipe for Grounding Lug

## ER-RT-50/1400



### Rectangular Tube

- Rectangular Tube–Landscape 50×50×1400

## ER-RT-70/1300 ER-RT-70/2200



### Rectangular Tube 70×70×L

- Rectangular Tube 70×70×L

## ER-AP-PM1/A-LP



### PV-ezRack PM1-A, Accessory Package

- Aluminum Profile Of ECO-rail 1150, L1150mm
- Angle Steel 63×40×1250×T4mm
- Angle Steel 40×40×682×T4mm, Right Supporting Rod
- Angle Steel 40×40×682×T4mm, Left Supporting Rod
- Sleeve Ø20×83×T3mm
- Cross Connection Clamp of ECO-rail, L40mm
- Cup Head Square Neck Bolts M8×25
- Hexagon Nut With Flange M8
- Hexagonal Bolt S M12×120
- Plain Washer 12mm
- Washer 12mm
- Hexagon Nut M12
- Universal Cable Clip for PV Panels for holding 2 cables

## ER-R-ECO



### ECO Rail

- Aluminium profile of ECO Rail

## C-U/30/46-G



### Universal Clamp

- Universal Clamp
- Module for Universal Clamp
- Grounding Clip for Universal Clamp
- Hexagon socket button head screw M8×55
- Washer 8
- Spring for Universal Clamp

## SC-PM2/3/4/A



### Steel Cap Assembly

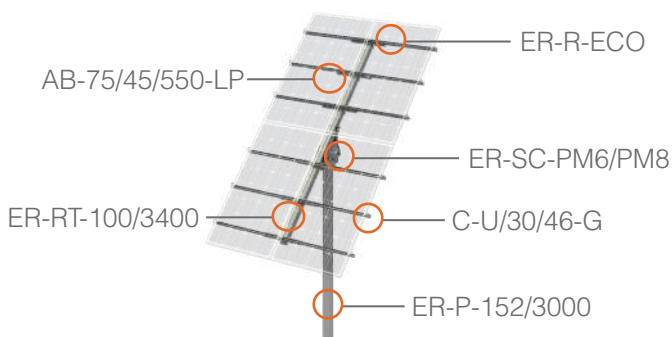
- Steel Cap of PM3-A, PM4-A
- Square washer for PM3-A, PM4-A
- Hexagonal bolt M14×150
- Hexagonal bolt M14×110
- Plain washer 14
- Washer 14
- Hexagon nut M14
- U washer T1.0 (for PM-A system)
- U washer T2.0 (for PM-A system)

## PostMount 4/6-A for XL Panels

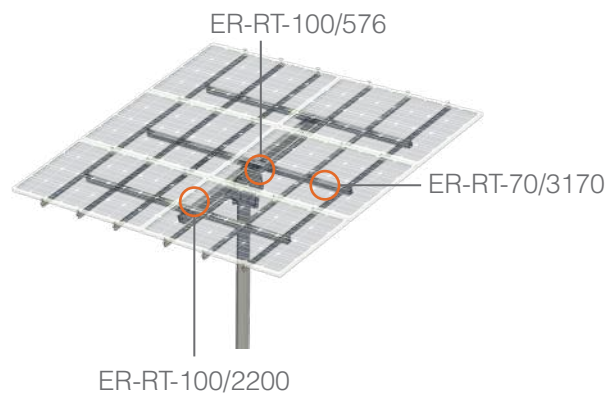
Robust pole mount system with adjustable angle for four and six XL panels

Clenergy's PV-ezRack® PostMount 4/6-A for XL Panels delivers flexible and durable designs to be mounted between four and six panels, up to 2100x1100mm per post. It's ideal for remote off-grid applications such as water pumps or small residential and commercial systems. The panel tilt is easily adjustable between 10° and 60° throughout the year and comes with hassle-free mounting thanks to patented components such as the PV-ezRack® rails and clamps. The combination of high quality aluminium, stainless steel and galvanized steel components make this a robust, reliable system with excellent corrosion resistance.

PM 4-A for XL Panels



PM 6-A for XL Panels



### Main Benefits

#### Suitable for Every Soil Condition

With its concrete foundation, PostMount can be installed on even or uneven ground or on a slope, making it suitable for any soil type and a wide range of applications.

#### Adjustable Tilt Angle

The steel cap (post head) is designed to tilt panels between 10° and 60° to ensure that you get the required power output you need – anywhere, anytime. Changing the angle merely requires a single pair of spanners.

#### Robust and Reliable

Mounted on aluminium rails the panels are supported by robust galvanised steel landscape and master tubes secured with stainless steel bolts. The post can be fixed into a concrete foundation and also used as a ramming option.

#### Quick and Easy Installation

Innovative and internationally patented, the Z-Module technology is used in almost all PV-ezRack® components. The Z-Module provides a quick, easy and safe installation method and can be inserted into the rail at any given point, secured with just three hand grips.

10 Year  
Warranty\*

Commercial

Residential

Available  
accessories

Grounding/earthing  
Cable clips  
Rail and Girder cap

# PostMount 4/6-A for XL Panels

## ER-P-152/3000



### Pipe 152x3000(PM6,8-A Pole)

- Pipe Diameter Ø152x3000

## ER-RT-70/3170



### Rectangular Tube

- Rectangular Tube-Landscape 70x70x3170

## ER-R-ECO



### ECO Rail

- Aluminium profile of ECO Rail

## ER-RT-100/576



### Adjustable Tube 100x50x576

- Adjustable Tube 100x50x576
- Hexagonal bolt M20x160
- Hexagon nut M20
- Plain washer 14
- Washer 20

## ER-RT-100/2200



### Rectangular Tube 100x100x2200

- Rectangular tube 100x100x2200 with pre-welded angle brackets

## C-U/30/46-G



### Universal Clamp

- Universal Clamp
- Module for Universal Clamp
- Grounding Clip for Universal Clamp
- Hexagon socket button head screw M8x55
- Washer 8
- Spring for Universal Clamp

## EZ-GL-ST



### Grounding Lug

- Grounding Lug
- Hexagon Socket Head Cap Screw M8x25
- Z Module
- Washer 8
- Plain washer 8
- Grounding Lug Bolt
- Copper Pipe for Grounding Lug

## AB-75/45/550-LP



### Angle Bracket 75x45x550

- Postmount4-A Angle Bracket 75x45x550
- U bolt M10x140 (with 100x100 tube)
- Plain washer 10
- Washer 10
- Hexagon nut M10
- Hexagon socket head cap screw M8x28
- Plain washer 8
- Washer 8
- Hexagon nut M8
- Cross connection clamp

## ER-SC-PM6/PM8



### Steel Cap Assembly

- Steel Cap of PM6-A, PM8-A
- Square washer for PM6-A, PM8-A
- Hexagonal bolt M20x210
- Hexagonal bolt M20x160
- Plain washer 20
- Washer 20
- Hexagon nut M20

## ER-RT-100/3400



### Rectangular tube 100x100x3400

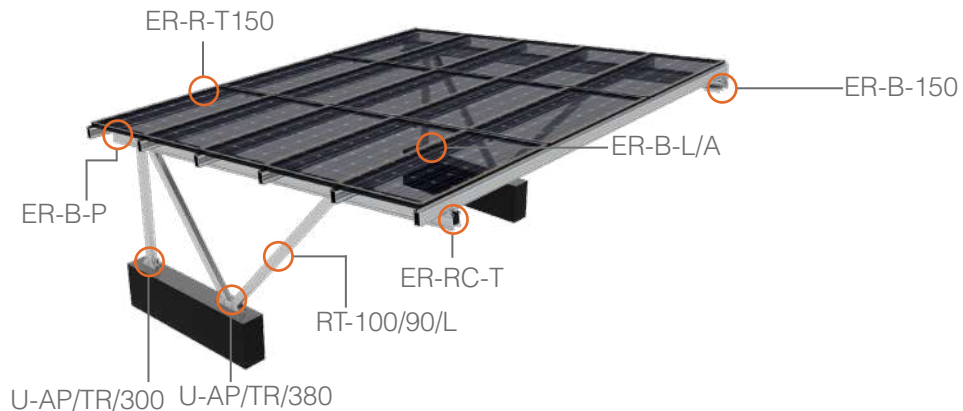
- Rectangular tube 100x100x3400

# PV-ezRack®

## ezShade

The universal ground mounted solution

Clenergy PV-ezRack® ezShade is an economical ground mounted system for landscape module installations that provides shelter for parking. It is designed for high wind speed and snow loads. The combination of Clenergy's patented aluminium base rail, Z-module technology and rail splicing saves you the trouble of on-site cutting for fast installation. The anodised aluminium components combined with this specific structural design result in an optimal balance between aesthetics and cost effectiveness.



### Main Benefits

#### Customized Solution

We offer customized solution for PV-ezRack® ezShade with optional one-car span or two-car span. Both silver anodized and black anodized products are available.

#### Durability

The whole anodised aluminium structure gives the system a decent look and anti-corrosive quality as well. It is a good choice for even the toughest environment, such as sites near the coastline.

#### Watertight Function

PV-ezRack® ezShade is available with the watertight function for the premium product. The version without it is the more economical option.

#### System Earthing Feature

With the earthed panel clamps, T-rail clamps with earthed Z-modules and set screws in the system, it can create earthing continuity from solar panels to supports.

10 Year  
Warranty\*

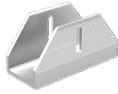
Utility

Commercial

Available  
accessories

Cable clips  
Rail and Girder cap

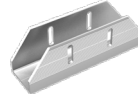
## U-AP/TR/300



### Corrugated U-anchor Plate

- Corrugated U-anchor Plate 300
- Hexagonal bolt M16x150
- Plain washer 16
- Washer 16
- Hexagon nut M16
- Corrugated Shim 50x40x6
- Bushing Ø23x77.5
- Hexagonal bolt M16x130

## U-AP/TR/380



### Corrugated U-anchor Plate

- Corrugated U-anchor Plate 380
- Hexagonal bolt M16x150
- Plain washer 16
- Washer 16
- Hexagon nut M16
- Corrugated Shim 50x40x6
- Bushing Ø23x77.5
- Hexagonal bolt M16x130

## RT-100/90/L



### Rectangular Tube

- Rectangular Tube 100x90xLmm

## ER-SP-T150



### Splice for T-150 Rail

- Splice for T-150 Rail 125.5x57.2x500
- Corrugated Shim 60x6x500
- Sharp-Point wood screw ST6x32

## SPII-B150



### Splice II for Main Support Beam

- 90x40x200
- Cup head square neck bolts M8x30mm
- Plain washer 8
- Washer 8
- Hexagon nut M8

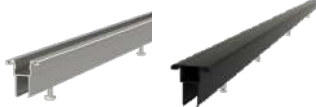
## ER-R-T150



### T-Rail, 150

- 4200mm
- 2360mm

## ER-B-L



### Dry Bar-Landscape(with Bushing)

- Dry Bar-Landscape 43x42x1623
- 43x42x1637
- 43x42x1687
- 43x42x2095
- Rubber for Dry Bar 6.8x3.9x1750
- T head bolt
- Hexagon nut M6
- Curved spring washer Ø6.7
- Bushing

## ER-B-L/A



### Dry Bar-Landscape

- Dry Bar-Landscape 43x42x1623
- 43x42x1637
- Rubber for Dry Bar 6.8x3.9x1750
- T-head bolt M6x55
- Hexagon nut M6
- Curved spring washer Ø6.7

## ER-B-T6/65



### T bolt kit

- T-head bolt M6x65
- Washer Ø6.5
- Hexagon nut M6

## ER-B-P



### Dry Bar-Portrait 5105

- Dry Bar-Portrait 32x11.5x5105
- Rubber for Dry Bar 6.8x3.9x5200

## ER-CC-B/L



### Cross Connection for Dry Bar-Landscape

- Cross Connection for Dry Bar 52x42x42

## ER-CAP-B/P



### End Cap for Portrait Dry Bar

- End Cap for Portrait Dry Bar 32x12x15

## ER-CAP-B/L



### Top Cover for Landscape Dry Bar

- Top Cover for Landscape Dry Bar 18.4x10x1623
- 18.4x10x1637
- 18.4x10x1687
- 18.4x10x2095

## ER-B-150



### Main Support Beam

- Main Support Beam 150x31.2xLmm

# PV-ezRack® Accessories

Accessories – Earthing / Grounding components

**EZ-GL-ST**



**Grounding Lug (standard)**

- Grounding Lug L25
- Hexagon Socket Head Bolt M8x25mm
- Z-Module L20
- Spring Washer M8.4
- Flat Washer M8.4
- Grounding Lug Bolt M6x14mm

**EZ-GL-ST/UC**



**Grounding Lug, with U-Shape Copper Channel**

- Grounding Lug, with Clenergy logo
- Hexagon socket head cap screw M8x25
- Z Module (Anodized)
- Washer 8
- Plain washer 8
- Grounding Lug Bolt II M6x14
- U-Shape Copper Channel

**EZ-GC-ST**



**Grounding Clamp (standard)**

## Accessories – Cable clips and trays

**CC-R/ECO/6**



**AL Cable clip for ECO rail**

- AL Cable clip for ECO rail
- Install tool for AL Cable clip

**EZ-CC-PV/2**



**Universal Cable Clip for PV Panels for holding 2 cables**

**EZ-CC-PV/2/L**



**Universal Cable Clip for PV Panels for holding 2 cables, Landscape**

**EZ-CC-PV/4**



**Universal Cable Clip for PV Panels for holding 4 cables**

**EZ-CC-PV/4/L**



**Universal Cable Clip for PV Panels for holding 4 cables, Landscape**

**EZ-C-CD/T**



**Clamp for Cable Duct on T-Rail**

- Clamp for Cable Duct on T-rail
- T-head bolt M8x25mm
- Plain washer 8mm
- Washer 8mm
- Hexagon nut M8
- Set screw M8x12mm

**EZ-CD-102**



**Cable Duct 102**

**EZ-CO-CD/102**



**Cover for Cable Duct 102**

## Accessories – Rail caps

**ER-CAP-T110**



**Cap for T-Rail 110**

**ER-CAP-G/PA**



**Cap for Square Girder**

**EZ-CAP-T50**



**Cap for T-Rail 50**

**CAP-ECO/PA**  
**CAP-ECO/PA/BA**



**Cap for ECO Rail**

### EZ-UB-STIIIA



#### SolarTerrace III-A, Bracket kit for Inverter / Combiner Box

- U-Fixing Bracket for Tube 60x60mm
- T-head bolt M8x25mm
- Plain washer large 8x24mm
- Washer 8mm
- Hexagon nut M8
- Self-drilling screw ST6.3x25mm

### EZ-UB-STIIA



#### SolarTerrace II-A, Bracket kit for Inverter / Combiner Box

- U-Fixing Bracket for Tube 60x60mm
- T-head bolt M8x25mm
- Plain washer large 8x24mm
- Washer 8mm
- Hexagon nut M8

### EZ-RT-60/60/740



#### Slotted Al-Tube for Bracket kit for Inverter / Combiner Box

- Slotted Al-Tube 60x60x740mm

### ER-R-C41/61/800

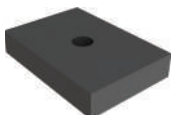


#### C-Channel for Bracket kit for Inverter / Combiner Box

- 41x62x800mm

## Accessories – Rubber pads

### EZ-RB-60/45/12



#### EPDM rubber pad

- EPDM rubber pad 60x45x12mm

### EZ-RB-ST



#### Rubber Pad

- 50x25x2.2mm

### EZ-RB-60/20000/2



#### EPDM strip

- EPDM strip 60x20000x2mm

## Accessories – Other

### EZ-AD-C110



#### SolarRoof Adapter for Corrugated Iron Roof

- AL Adapter 110mmx124mm
- EPDM rubber pad
- Z-Module and bolt

### EZ-Z-STBW



#### Z-Module assembly with bolt and washer

- Z-Module
- M8x25mm A2 70
- Washer 8.4mm DIN 9021 A2
- Lock Washer 8mm A2

### EZ-Z-ST



#### Z-Module

### EZ-RE-200



#### Roof Hook Extender

- 200mm Roof Hook Extender
- Hex Socket Head Bolt
- Hex Nut

### ER-R-MT/2560



#### MT-rail

- With a standard length of 2560mm

### ER-DM-MT8



#### Diamond module M8 with Hexagon Socket bolt M8x20 (for AU)

### CM-01



#### Click Module without Bolt

- Main Click Module
- Side Click Module
- Spring for Click Module

### CM-01/B



#### Click Module with Bolt

- Main Click Module
- Side Click Module
- Spring for Click Module
- Washer 8
- Lock Washer M8x18
- socket head cap screw M8x25

# PV-ezRack® Accessories

## Accessories – Other

### IS-SR265/111 IS-SR265/111/B



#### Isolator Shade, 280×158×114mm with Z-Module and bolt, non-assembly

- Isolator Bracket, 265×155×111.5mm
- Isolator Cover, 280×155.5×114mm
- Z Module (Anodized, grounding)
- Plain washer large 8×24
- Washer 8
- Hexagon socket head cap screw M8×25
- Cross Recessed Countersunk Head Tapping Screws ST3.5×16
- Grounding Lug Bolt
- Washer 6
- Hexagon nut M6
- External Teeth Lock Washer 12 (for Black Anodized)
- External Teeth Lock Washer 8 (for Black Anodized)

### AB-SR/IS/260 AB-SR/IS/260B



#### Angle Bracket for Isolator Shade, 260 mm Length

- Angle Bracket for Isolator Shade, 260mm Length
- Hexagon nut M8
- Washer 8
- Hexagon socket head cap screw M8×25
- External Teeth Lock Washer 8

### CRC-R/ECO-ZBW



#### Cross Connector Clamp of ECO-Rail with Z-module

- Hexagon socket head cap screw M8×25
- Washer 8
- Cross Connector Clamp of ECO-Rail
- Z Module

### RC-ECO/G



#### PV-ezRack® Rail Clamp for ECO-Rail with grounding/earthing pins

- Hexagon socket head cap screw M8×30
- Washer 8
- Rail Clamp for ECO-Rail with grounding/earthing pins
- Z Module

### CRC-R/ECO



#### Cross Connector Clamp of ECO-Rail

- Cross Connector Clamp of ECO-Rail

### ER-HB-8/150



#### Hanger Bolt for wood purlin, M8x150

- Hanger Bolt for wood purlin, M8 x150(with 3 nuts, round EPDM rubber pad, mounted)
- Waterproof Gasket for Hanger bolt M8
- Hexagon nut with flange M8

### US-6.3/70-BW/BX



#### Self-drilling Universal Screw, Buildex 14-11x70 Hex Head Zips Climaseal 3 with 16 mm ABW

### GE-STA/200



#### Girder Extension for SolarTerrace-A (II and III) 200mm

- Splice for Tri-Groove Square Girder
- Flange Facing Self-Tapping Screw (washer) ST6.3×22
- Alum profile of tri-groove Beam 200

### ER-HB-MP/8/150EP



#### Hanger Bolt M10×200mm

- Hanger Bolt M10×200
- Waterproof Gasket for Hangerbolt M10×200
- Hexagon nut with flange M10

### EZ-CT-40/40/2560



#### Cable Tray, 40×40×2560 mm

### CO-MT/855



#### Cover for MT-Rail, length 855mm

### PV-ezRack Hanger Bolt for metal purlin M8×150mm

- Hanger Bolt for metal purlin M8×150
- Waterproof Gasket for Hanger bolt M8
- Hexagon nut with flange M8

### EZ-SS-PV



#### DFendr - Solar Skirt for PV Panels

### EZ-SC-PV



#### DFendr - Solar Skirt Clip for PV Panels

# PV-ezRack® Accessories

Accessories – Ground screw

**GS-76/3.5/4/F0**



**Ground Screw, with Quadrate Flange  
and Continuous Small blade**

- Ø76×3.5×1300mm
- Ø76×3.5×1600mm

# PV-ezRack® 10 Year Product Warranty

As the manufacturer of quality solar mounting systems, Clenergy Australia provides a warranty for all PV-ezRack products it supplies in Australia and New Zealand ("Products"). The warranty provided by Clenergy Australia is subject to the conditions contained in this document ("Warranty"). No other warranty provision implied or otherwise is to be assumed. Your Warranty coverage is in accordance with this document.

**Product Warranty Table for Installations in Corrosivity Category 1, 2, 3, 4 and 5 (ISO 9223)**

# Product	Material	Standard or Customized Product	Product Warranty			
			Corrosivity Category 1, 2 and 3	Corrosivity Category 4	Corrosivity Category 5	
1	Aluminium Components	6005CL-T5 mill finish	Standard	10 years	10 years*	10 years*
		6005-T5 anodized to 10 microns	Standard	10 years	10 years*	10 years*
		6005-T5 anodized to 15 microns	Customized	10 years	10 years	10 years*
		6005-T5 anodized to 20 microns	Customized	10 years	10 years	10 years
2	Galvanized Steel Components	Galvanized Steel at 85 microns in average	Standard	10 years	10 years	Not warranted
3	Stainless Steel Components	SUS304	Standard	10 years	10 years	10 years
4	Fasteners (bolts/nuts/washers)	SUS304	Standard	10 years	10 years	10 years
		SUS316	Customized	10 years	10 years	10 years
5	Buildex Screws for Tile Interface	Carbon Steel SAE 1022 with Climaseal 3 Finish	Standard	10 years	10 years**	10 years**
6	Buildex Screws for Tin Interface	Carbon Steel SAE 1022 with Climaseal 3 Finish	Standard	10 years	Not warranted	

\* Subject to interface spacing reduction as advised by Clenergy Australia. Please contact us for more details.

\*\*The screws under tile interface are assumed to be installed a category 1, 2 or 3 micro-climate within the roof structure.

## Warranty Scope:

Your solar mounting Product has been manufactured to high standards, however, should any manufacturing defect arise, please contact Clenergy Australia. We will arrange for an inspection of the affected Product(s) to determine the extent of the problem.

Details are provided below as to the extent of your Warranty coverage and any exclusions that may apply. Please read these provisions carefully to ensure you receive the appropriate assistance and support in a timely manner. Please also contact Clenergy Australia if any part of this Warranty is unclear, or you wish to discuss your rights and remedies under this Warranty.

If your Product fails during the Warranty periods set out in the Warranty table above due to a defect in:

- (a) materials and/or workmanship on and from the date of the Product's delivery; or
- (b) structural integrity on and from the date of the Product's installation,

Clenergy Australia will at its election either repair or resupply the defective Product provided that:

- The Product was installed correctly by a Clean Energy Council ("CEC") accredited or equivalent accreditation installer, following the Clenergy installation manual provided at time of purchase.
- The Product has been maintained correctly in accordance with section "Care of your Product" below.

## Warranty Conditions:

- Any and all costs for repair or replacement outside the Warranty period are the responsibility of the customer.
- Where Clenergy attends a site and finds that the Product is not faulty, the costs for the visit will be payable by the customer.
- Defective Products shall be uninstalled and/or reinstalled at the customer's expense and risk.
- Under certain conditions, the Warranty can be extended to more than 10 years at an extra cost, available upon request.

## Warranty Exclusions:

- Product finish (natural surface oxidation) or any natural impairment or surface corrosion that does not compromise the structural integrity.
- Products sold or installed outside of Australia and New Zealand unless approved previously in writing by Clenergy Australia.
- Damage caused by transport, mishandling, incorrect storage, improper loading or willful conduct.
- Any Product not correctly installed in accordance with our installation manual, or any specific design instruction or special conditions as advised by Clenergy Australia.
- Damage caused by the Product being modified in any way unless previously agreed to in writing by Clenergy Australia.
- The use of the Product for purposes other than the mounting of PV solar panels.
- Installations where the environment is excluded in the "Products Warranty Table" above, and for galvanized steel ground system Products, where the pH level is outside the range of 6-8, unless agreed to in writing by Clenergy Australia prior to installation.

# PV-ezRack®

- Damage caused by extreme weather conditions or any other natural or man-made event outside of our control.
- Damage caused by attachments not designed or approved for connection to the Product.
- Damage caused by lightning strikes or excessive currents through the earthing/grounding clamps, clips or lugs.

Our Products may come with guarantees that cannot be excluded under the Australian Consumer Law. You may be entitled under statute to a replacement or refund for a major defect in the Products. You may also be entitled under statute to have the products repaired for any defect which does not amount to a major defect. The benefits given by this Warranty are in addition to any statutory rights and remedies you may have under Australian law.

## Product Care:

Clenergy Products are designed to be durable with minimal care, however it is important that you maintain your mounting Product in accordance with proper practices. This includes regular maintenance and inspection to avoid damage.

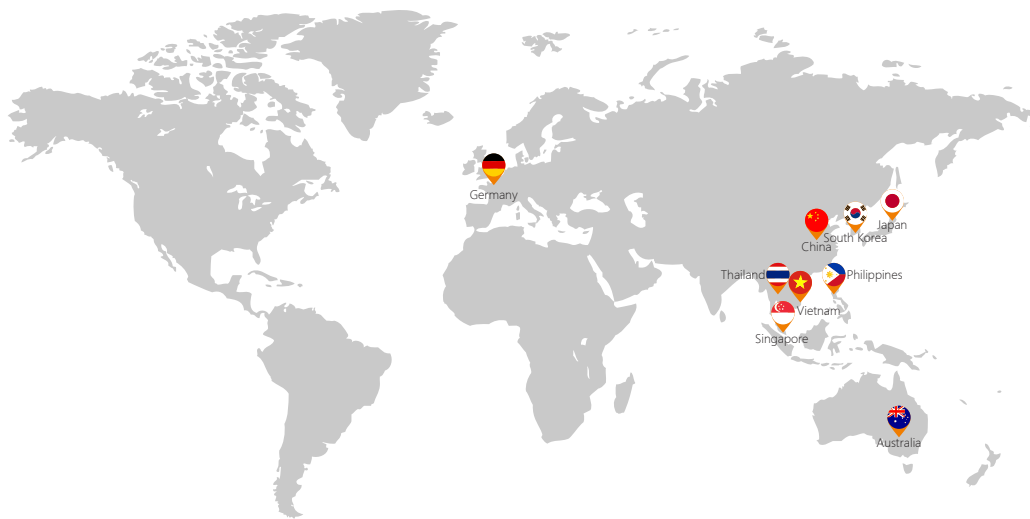
The aluminum components are made from either AL 6005CL-T5 or AL6005-T5 and may also have a clear anodization. The aluminum may undergo some surface oxidization in service. Please note that this is normal and part of the natural ageing process. The result may even be beneficial to the longevity of the Product, as the oxidization can provide additional protection against degradation by pollution and atmospheric corrosion.

- The torque values of fastener connections on mounting system must be checked annually and corrected if needed in accordance with Clenergy Australia's installation manual.
- Regular cleaning to remove any soil or other possible contaminants must also be performed. Cleaning should be performed in accordance with guidelines recommended by the Galvanizers Association of Australia (GAA) (for Products supplied in Australia) or the Galvanizers Association of New Zealand (GANZ) (for Products supplied in New Zealand) or any other similar organisations (as applicable). When using tin interfaces for installation works, screws not exposed to frequent rain should be washed down with fresh water at least every 6 months.
- You should not use harsh chemicals or highly abrasive materials that may damage Product surfaces. Use only cleaners that are designed for aluminium and always wash them off with clean water afterwards. Steel components should be inspected before and after installation and any damage to the galvanizing should be treated immediately to prevent rusting. It is normal for galvanized Products to develop a surface barrier (the 'patina'), which helps to protect the surface from contaminants in the atmosphere and does not adversely affect the Product.
- You should also ensure that if the Product is stored prior to installing that it is not contaminated by contact with rusty items or other impurities such as dirt and chemicals. Should this occur, you must clean the Product and make any repairs using approved methods such as galvanized paint and antirust treatments immediately before installation.



*Innovating renewable energy*

### Worldwide network



**@ClenergyGlobal**  
[www.facebook.com/ClenergyGlobal](http://www.facebook.com/ClenergyGlobal)

**@ClenergyClub**  
[www.facebook.com/groups/clenergyclub](http://www.facebook.com/groups/clenergyclub)

**@ClenergyAUS**  
[www.facebook.com/ClenergyAUS](http://www.facebook.com/ClenergyAUS)

**@Clenergy**  
[www.youtube.com/c/clenergy](http://www.youtube.com/c/clenergy)

**@ClenergyClub**  
[www.instagram.com/clenergyclub](http://www.instagram.com/clenergyclub)

**@Clenergy\_global**  
[https://twitter.com/clenergy\\_global](https://twitter.com/clenergy_global)

**@Clenergy**  
[www.linkedin.com/company/clenergy](http://www.linkedin.com/company/clenergy)

**Clenergy Australia**  
 1/10 Duerdin Street, Clayton VIC 3168 Australia  
 Tel: +61 3 9239 8088 Fax: +61 3 9239 8024  
 E-mail: [sales@clenergy.com.au](mailto:sales@clenergy.com.au)  
[www.clenergy.com.au](http://www.clenergy.com.au)

